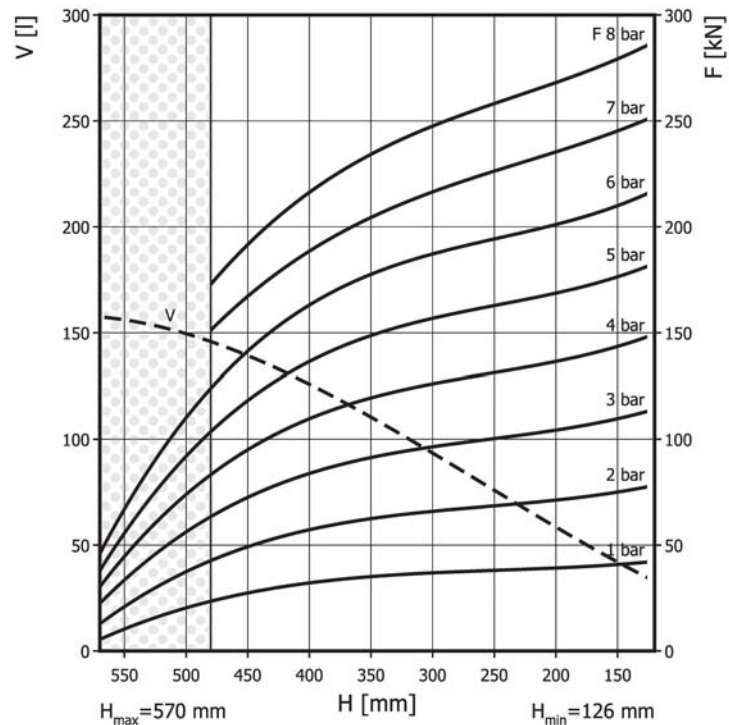
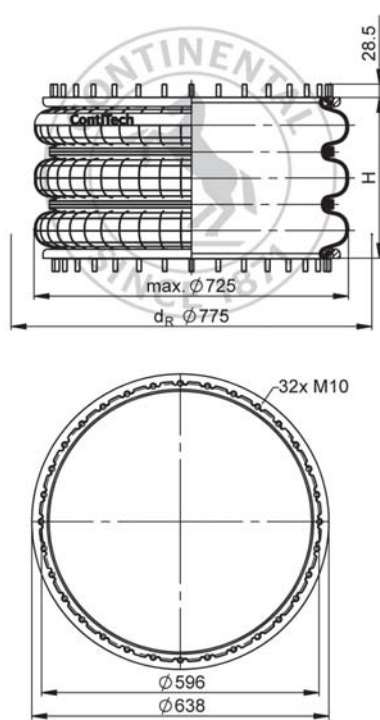


FT 2870-45 RS

Triple Convolution Air Actuator



Use in dotted range >480 mm only after consultation with ContiTech

Purchase order data

Type	Order No.
Rubber bellows only	61790
with bead rings, 45 mm bolts, nuts and washers	61912

Additional types on request



Service instructions
M10: max. 40 Nm

Technical data

Min. pressure	0 bar
Return force to min height	≤ 950 N
Overall weight	17 kg

Pneumatic application - static characteristic values

Force F [kN]									Vol. V [l]
Pressure p [bar]		3	4	5	6	7	8		
Height H [mm]	480	65.5	85	106	126	151	173	150	
	400	83	109	135	162	189	216	130	
	320	95	123	153	183	213	243	100	
	240	101	133	164	196	227	261	73	
	160	110	142	177	210	244	277	41	