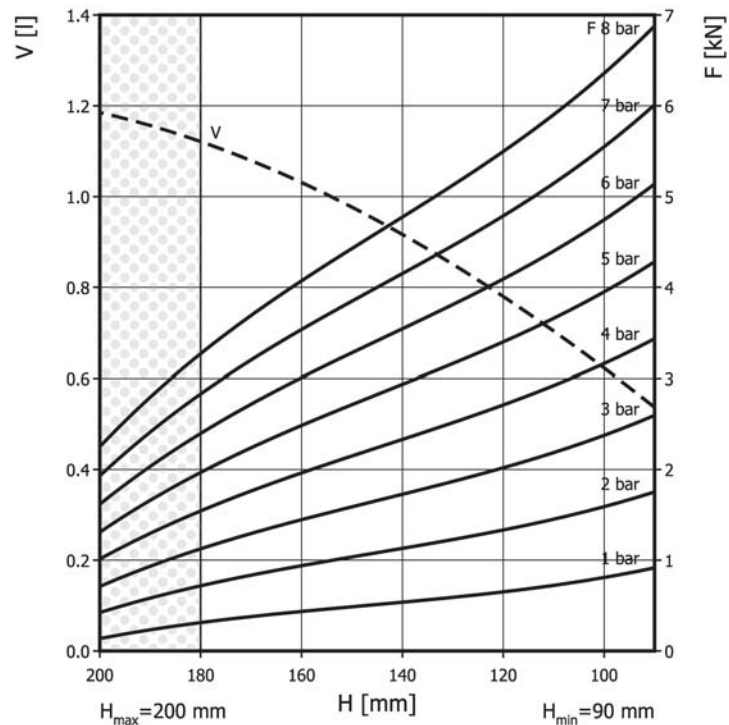
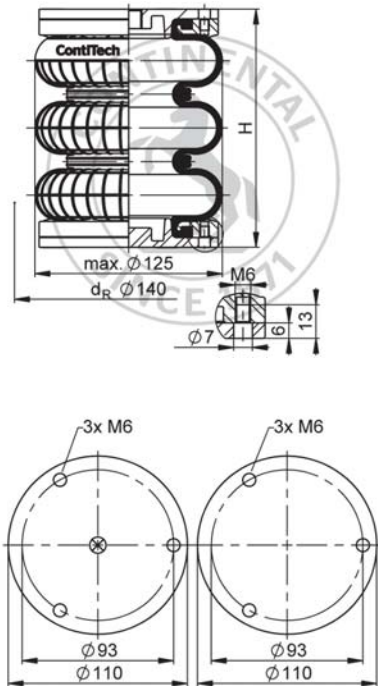


FT 44-15 DI CR

Triple Convolution Air Actuator



Use in dotted range >180 mm only after consultation with ContiTech

Purchase order data

Type	Order No.
Rubber bellows only	70202
CR-Rubber bellows, with dismountable aluminium plates, G3/8 air inlet	70207

Additional types on request



Service instructions
M6: max. 5 Nm
G3/8: max. 15 Nm

Technical data

Min. pressure	0 bar
Return force to min height	≤ 100 N
Overall weight	1.05 kg

Pneumatic application - static characteristic values

Force F [kN]

Pressure p [bar]	3	4	5	6	7	8	Vol. V [l]	
Height H [mm]	180	1.12	1.52	1.94	2.37	2.8	3.23	1.1
	160	1.44	1.96	2.49	3.01	3.55	4.08	1
	140	1.75	2.36	2.97	3.58	4.19	4.81	0.92
	120	2.01	2.69	3.38	4.07	4.76	5.47	0.78