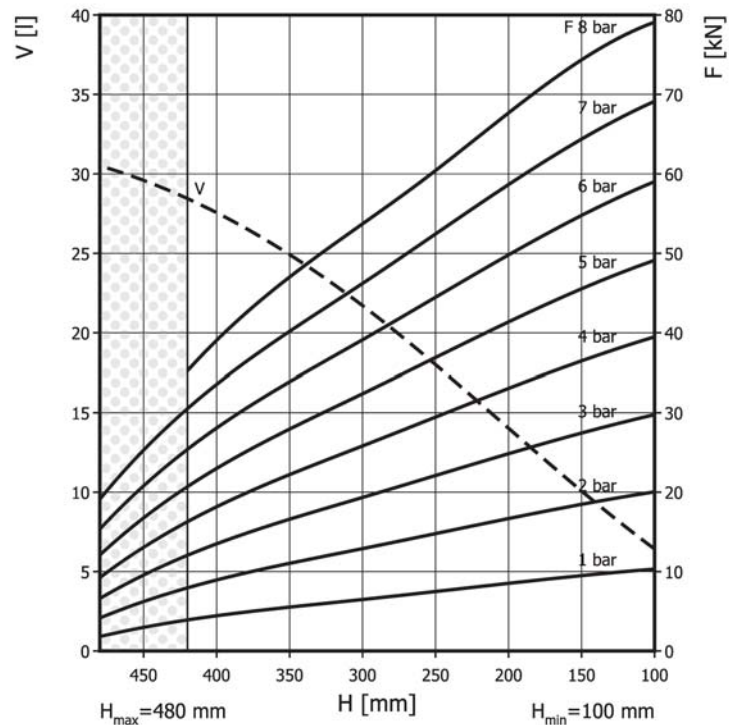
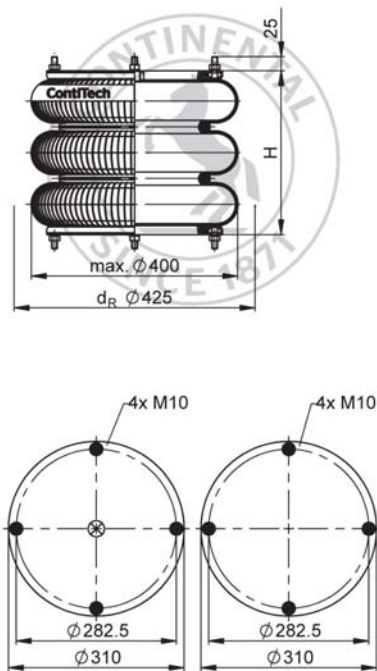


FT 614-36 DS

Triple Convolution Air Actuator



Use in dotted range >420 mm only after consultation with ContiTech

Purchase order data

Type	Order No.
Rubber bellows only	68044
with dismantable plates, G1/2 air inlet	68047

Additional types on request



Service instructions
M10: max. 25 Nm
G1/2: max. 25 Nm

Technical data

Min. pressure	0 bar
Return force to min height	≤ 330 N
Overall weight	9.6 kg

Pneumatic application - static characteristic values

Force F [kN]								
Pressure p [bar]	3	4	5	6	7	8	Vol. V [l]	
Height H [mm]	400	13.3	18	22.8	27.9	33.3	38.9	28
	420	11.8	16	20.4	25	30.1	35.3	28
	350	16.7	22.4	28.2	34.2	40.5	46.9	25
	300	19.4	26	32.5	39.3	46.3	53.5	22
	250	21.8	29	36.4	43.8	51.7	60.5	18
	200	24.7	32.9	41.1	49.6	58.5	67.4	14
	150	27.6	36.6	45.7	55	64.6	74.2	10