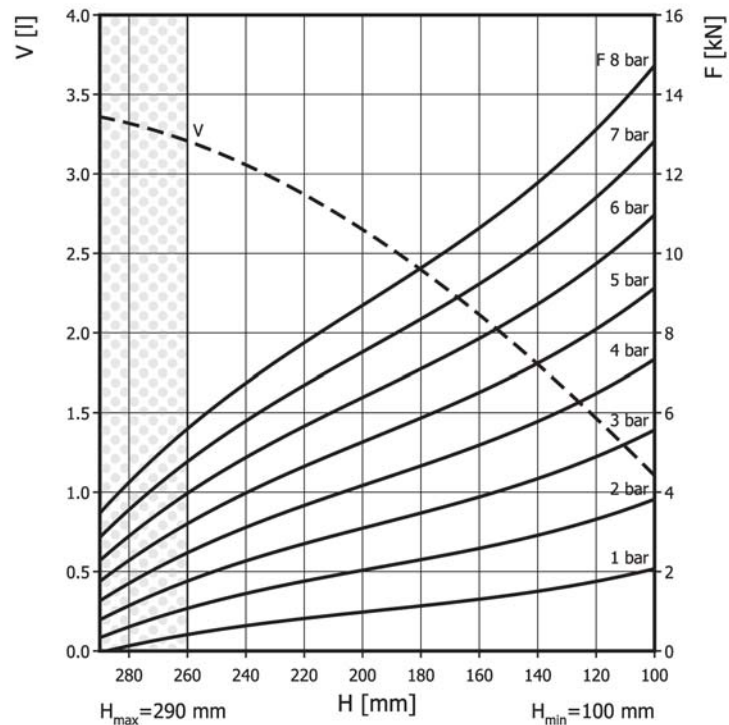
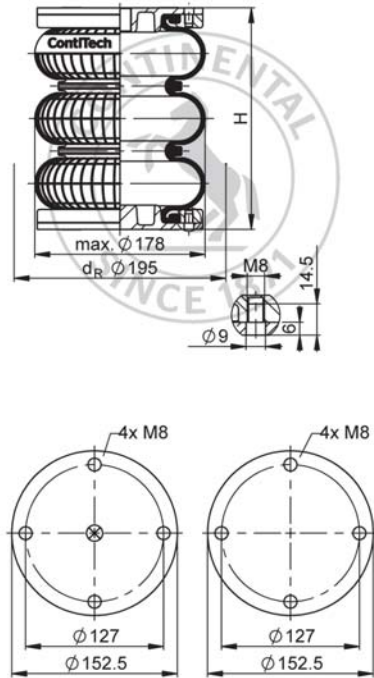


FT 76-20 DI CR

Triple Convolution Air Actuator



Use in dotted range >260 mm only after consultation with ContiTech

Purchase order data

Type	Order No.
Rubber bellows only	70204
CR-Rubber bellows, with dismountable aluminium plates, G1/2 air inlet	70209

Additional types on request



Service instructions
M8: max. 12 Nm
G1/2: max. 25 Nm

Technical data

Min. pressure	0 bar
Return force to min height	≤ 250 N
Overall weight	2 kg

Pneumatic application - static characteristic values

Force F [kN]

Pressure p [bar]	3	4	5	6	7	8	Vol. V [l]	
Height H [mm]								
	260	1.75	2.46	3.19	3.95	4.74	5.56	3.2
	220	2.69	3.65	4.63	5.64	6.67	7.74	2.9
	180	3.51	4.71	5.93	7.17	8.43	9.71	2.4
	140	4.27	5.69	7.12	8.6	10.1	11.7	1.8
	100	5.55	7.32	9.1	10.9	12.8	14.7	1.1