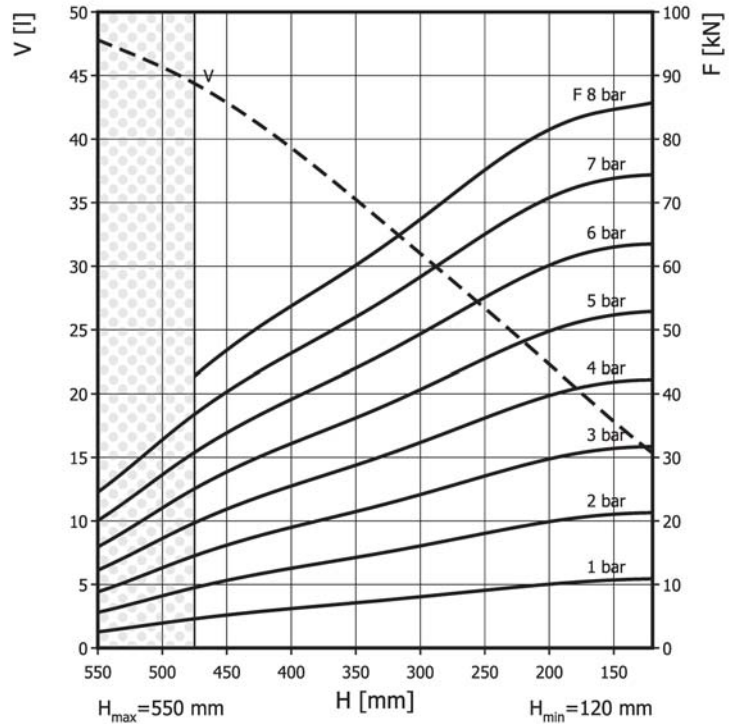
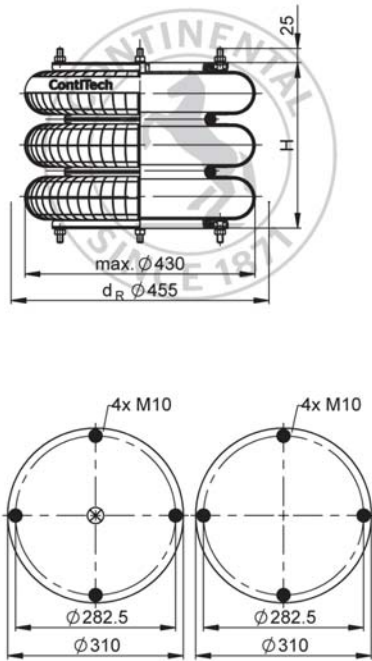


FT 816-40 DS

Triple Convolution Air Actuator



Use in dotted range >475 mm only after consultation with ContiTech

Purchase order data

| | |
|---|-----------|
| Type | Order No. |
| Rubber bellows only | 68051 |
| with dismantable plates, G1/2 air inlet | 68053 |

Additional types on request



Service instructions
M10: max. 25 Nm
G1/2: max. 25 Nm

Technical data

| | |
|----------------------------|---------|
| Min. pressure | 0 bar |
| Return force to min height | ≤ 100 N |
| Overall weight | 10.4 kg |

Pneumatic application - static characteristic values

| Force F [kN] | | | | | | | | |
|------------------|-----|------|------|------|------|------|------|------------|
| Pressure p [bar] | | 3 | 4 | 5 | 6 | 7 | 8 | Vol. V [l] |
| Height H [mm] | 450 | 16.1 | 21.8 | 27.6 | 33.8 | 40.2 | 46.8 | 43 |
| | 400 | 19.1 | 25.6 | 32.3 | 39.3 | 46.5 | 53.8 | 39 |
| | 350 | 21.5 | 28.8 | 36.2 | 44 | 51.9 | 60 | 35 |
| | 300 | 24.1 | 32.2 | 40.5 | 49.2 | 58.2 | 67.4 | 31 |
| | 250 | 27.1 | 36.3 | 45.5 | 55.2 | 65.1 | 75.2 | 27 |
| | 200 | 29.8 | 39.7 | 49.8 | 60.1 | 70.8 | 81.5 | 22 |
| | 150 | 31.4 | 41.8 | 52.3 | 63 | 73.8 | 84.8 | 18 |