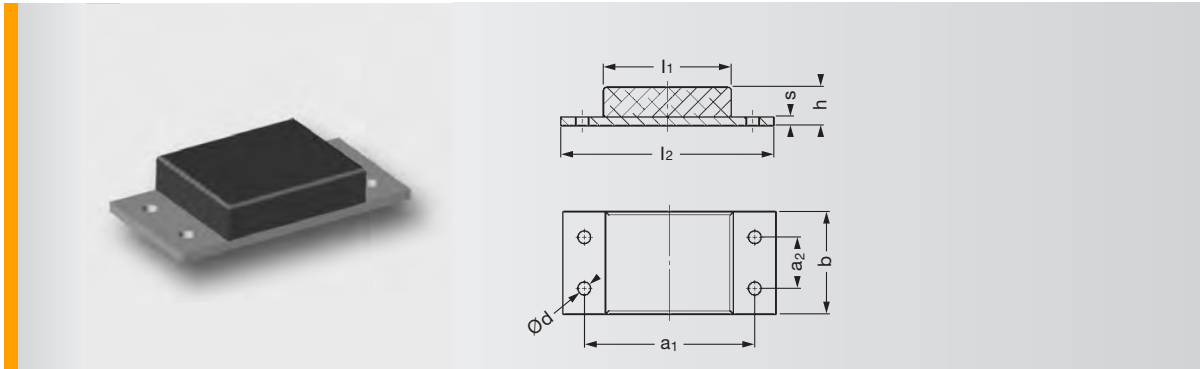


SCHWINGMETALL® Heavy-Duty Impact Mounts



Heavy-Duty Impact Mounts 21422b/AN - 21055/AN		Dimensions								Max. Loads		Mass	Elas-tomer
Mould No.	Part No.	a1	a2	b	d	h	l1	l2	s	F _z	W	Piece	Hardness [Shore A]
		[mm]	[mm]	[mm]	[mm]	[mm]	[mm]	[mm]	[mm]	[N]	[N/mm]		
21422b/AN	3974507000	200	60	120	4 x 15	45	150	250	10	58491	250	2.900	55
21422/AN	3974508000	200	60	120	4 x 15	70	150	250	10	58654	497	3.470	55
21055b/AN	3975509000	250	80	150	4 x 17	50	200	300	15	97971	330	6.150	55
21055/AN	3975510000	250	80	150	4 x 17	80	200	300	15	99552	950	7.250	55

1) a2 without value means only one hole bored in the center.

Force and Energy Direction Diagrams

