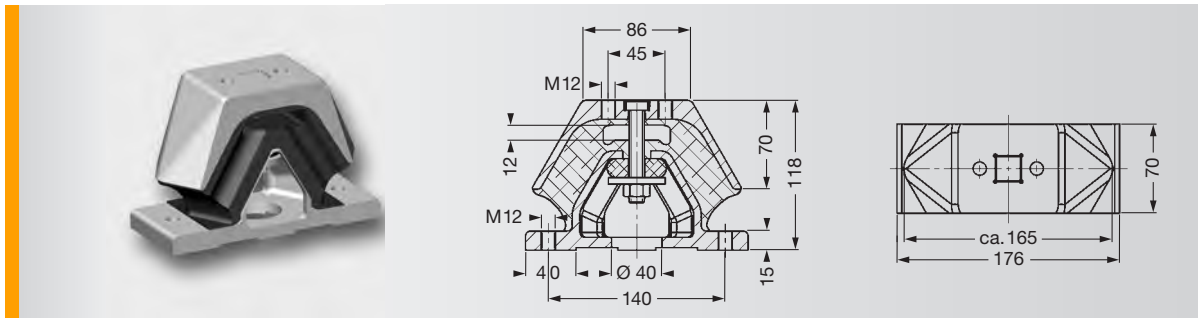


# SCHWINGMETALL® Special Mounts



## Heavy-Duty Mounts 33660

Mould No.	Part No.	Spring Stiffness			Max. Loads			Mass [kg]	Elastomer Hardness [Shore A]
		C <sub>x</sub> [N/mm]	C <sub>y</sub> [N/mm]	C <sub>z</sub> [N/mm]	F <sub>x</sub> [N]	F <sub>y</sub> [N]	F <sub>z</sub> [N]		
38451	3946208000	613	158	306	600	320	690	0.413	55
33660	3946209000	950	298	880	4500	1500	9810	3.3	55
33660	3946109000	1462	459	1354	6500	2000	14000	3.3	65