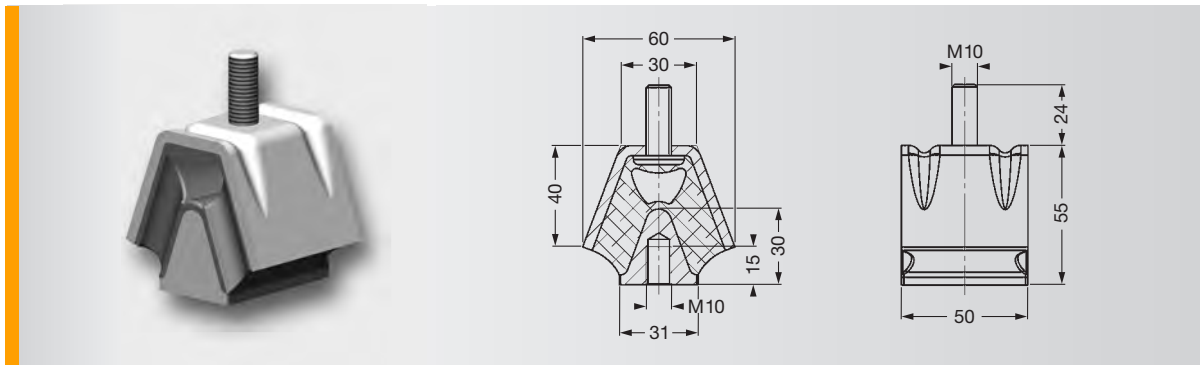


SCHWINGMETALL® Special Mounts



Heavy-Duty Mounts 38451		Spring Stiffness			Max. Loads			Mass	Elastomer Hardness
Mould No.	Part No.	C _x [N/mm]	C _y [N/mm]	C _z [N/mm]	F _x [N]	F _y [N]	F _z [N]	Piece [kg]	[Shore A]
38451	3946208000	613	158	306	600	320	690	0.413	55