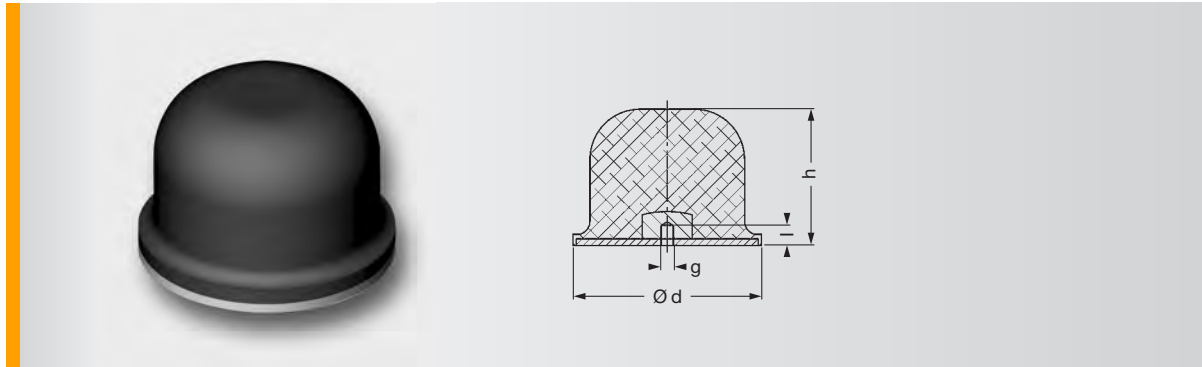


SCHWINGMETALL® Impact Mounts



Impact Mounts with Internal Thread 38652 - 38654

Mould No.	Part No.	Dimensions				Max. Loads		Mass Piece [kg]	Elastomer Hardness [Shore A]
		d [mm]	h [mm]	l [mm]	g	F _z [N]	W [N/mm]		
38652	3915250000	52	35	8.8	M10	3874	23.000	0.085	55
38653	3915251000	83	60	11.6	M12	11572	120.000	0.340	55
38654	3915252000	125	90	17.5	M16	29148	380.000	1.200	55

Force and Energy Direction Diagrams

