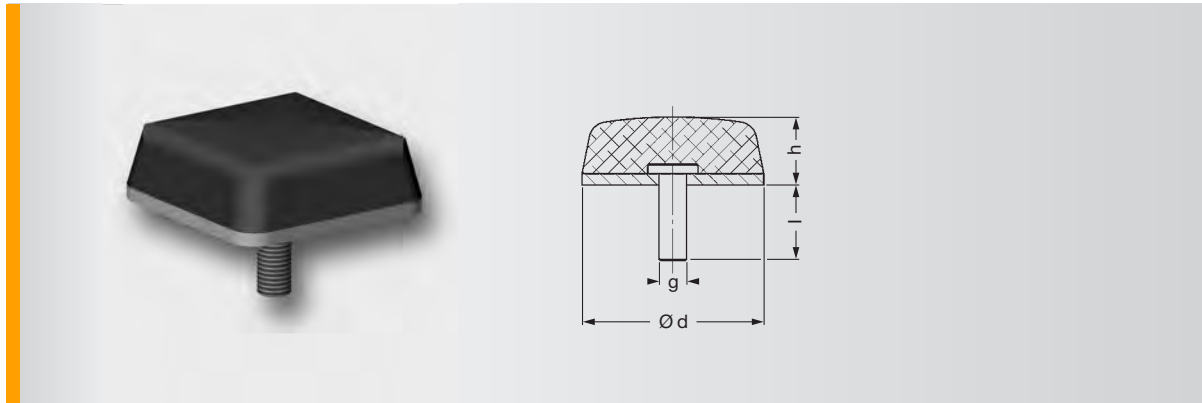


SCHWINGMETALL® Impact Mounts



Impact Mounts with Outside Thread 25444 - 38655

Mould No.	Part No.	Dimensions				Max. Loads		Mass Piece [kg]	Elastomer Hardness [Shore A]
		d [mm]	h [mm]	l [mm]	g	F _z [N]	W [N/mm]		
25444	■	25	16.5	18.5	M6	991	3.2	0.015	40
25444	3915209000	25	16.5	18.5	M6	953	2.5	0.015	55
25444	■	25	16.5	18.5	M6	1173	2.2	0.015	65
25481	■	50	17.0	28.0	M10	3586	5.4	0.077	40
25481	3915216000	50	17.0	28.0	M10	3909	5.5	0.077	55
25481	■	50	17.0	28.0	M10	3918	4.5	0.077	65
25443	■	□ 80	30.0	35.0	M12	19563	83	0.419	40
25443	3915223000	□ 80	30.0	35.0	M12	20608	64	0.419	55
25443	■	□ 80	30.0	35.0	M12	20206	49	0.419	65
38655	3915223000	125	45.0	43.0	M16	49143	320	0.920	55

■ made-to-order item

Force and Energy Direction Diagrams

