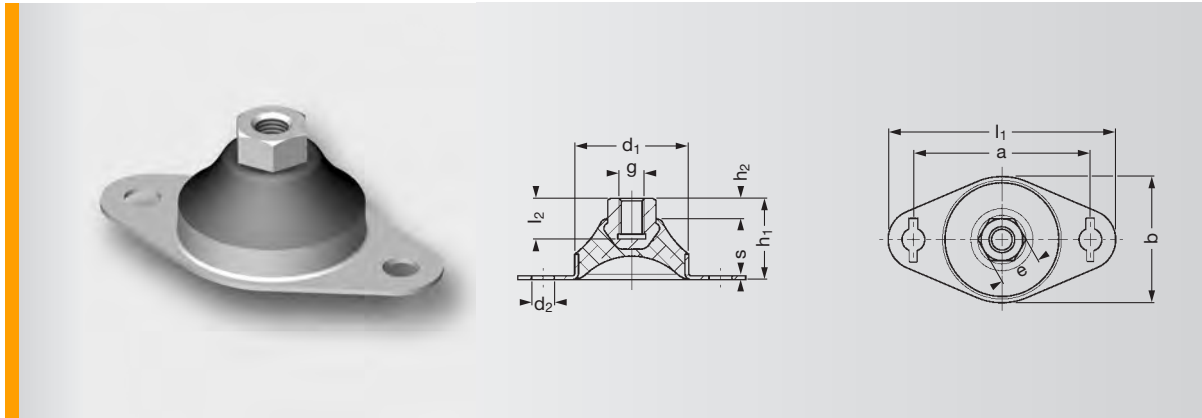


SCHWINGMETALL® Special Mounts



Instrument Mounts 27860 - 27924		Dimensions										
Mould No.	Part No.	a	b	d1	d2	e	g	h1	h2	l1	l2	s
		[mm]	[mm]	[mm]	[mm]	[mm]	[mm]	[mm]	[mm]	[mm]	[mm]	[mm]
27860	3956401000	45	35	30	6	SW11	M6	20	5	60	8	1.5
27860	3956201000	45	35	30	6	SW11	M6	20	5	60	8	1.5
27860	3956101000	45	35	30	6	SW11	M6	20	5	60	8	1.5
27859	3956402000	70	50	45	9	SW17	M10	32	8	90	16	1.5
27859	3956202000	70	50	45	9	SW17	M10	32	8	90	16	1.5
27859	3956102000	70	50	45	9	SW17	M10	32	8	90	16	1.5
27924	3956403000	105	80	70	13	SW24	M16	50	13	140	17	2.0
27924	3956203000	105	80	70	13	SW24	M16	50	13	140	17	2.0
27924	3956103000	105	80	70	13	SW24	M16	50	13	140	17	2.0

	Part No.	Spring Stiffness			Max. Loads			Mass Piece [kg]	Elastomer Hardness [Shore A]
		C _x [N/mm]	C _y [N/mm]	C _z [N/mm]	F _x [N]	F _y [N]	F _z [N]		
27860	3956401000	28	28	28	50	50	100	0.025	40
27860	3956201000	54	54	54	100	100	200	0.025	55
27860	3956101000	93	93	93	120	120	250	0.025	65
27859	3956402000	44	44	44	100	100	200	0.074	40
27859	3956202000	75	75	75	175	175	350	0.074	55
27859	3956102000	122	122	122	275	275	550	0.074	65
27924	3956403000	88	88	88	400	400	800	0.250	40
27924	3956203000	160	160	160	700	700	1400	0.250	55
27924	3956103000	230	230	230	1000	1000	2200	0.250	65