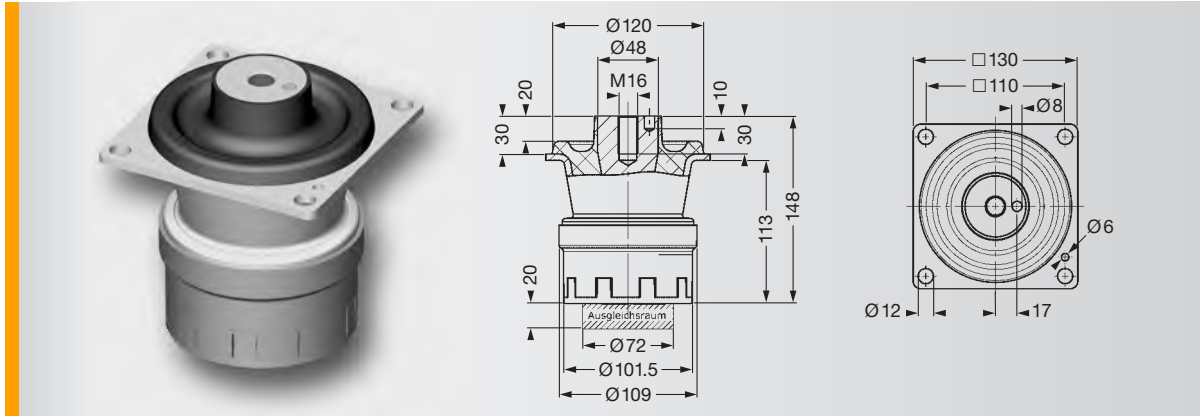


# SCHWINGMETALL® Hydromounts



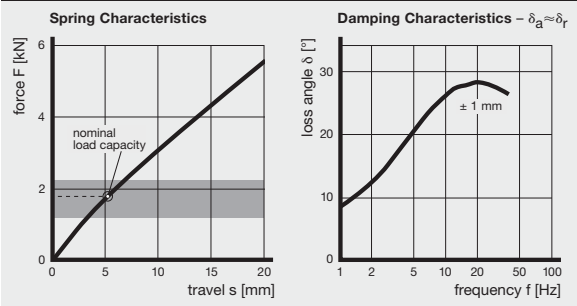
## Hydromount K 3500 LT

Hydro-mount	Mould No.	Part No.	Spring Stiffness			Max. Loads			Mass Piece [kg]	Elastomer Hardness [Shore A]
			$C_x$ [N/mm]	$C_y$ [N/mm]	$C_z$ [N/mm]	$F_x$ [N]	$F_y$ [N]	$F_z$ [N]		
K 3500 LT	212706	4000006546	500	500	250	2500	2500	1500	3.0	40
K 3500 LT	212706	4000006547	1000	1000	500	5000	5000	3000	3.0	55

► Hydromount K 3500 LT: stopper disk in z direction min. Ø 120 mm required

## Characteristic Curves Hydromount K 3500 LT

### 40 Shore A



### 55 Shore A

