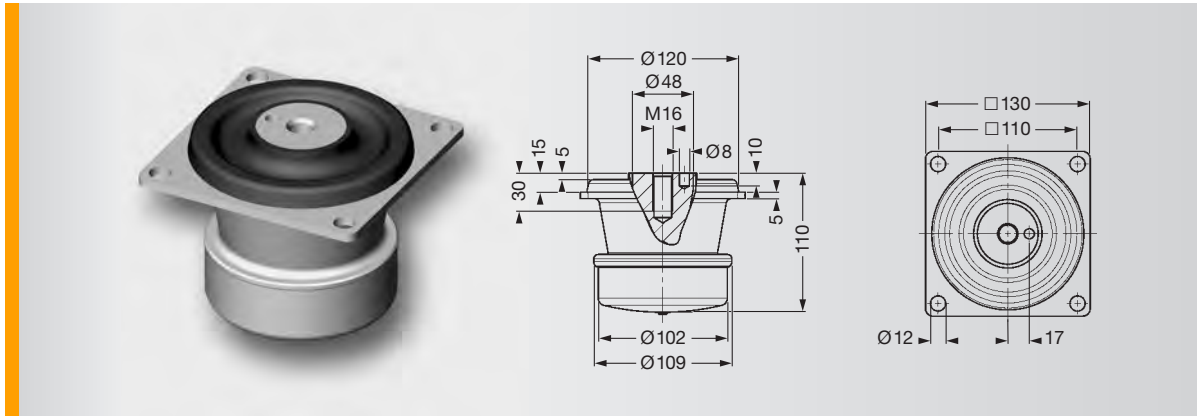


# SCHWINGMETALL® Hydromounts



## Hydromount K 3500

Hydro-mount	Mould No.	Part No.	Spring Stiffness			Max. Loads			Mass Piece [kg]	Elastomer Hardness [Shore A]
			$C_x$ [N/mm]	$C_y$ [N/mm]	$C_z$ [N/mm]	$F_x$ [N]	$F_y$ [N]	$F_z$ [N]		
K 3500	210470	4000005321	2400	2400	1000	5000	5000	3500	3.2	65

► Hydromount K 3500: stopper disk in z direction min. Ø 120 mm required

## Characteristic Curves Hydromount K 3500

### 65 Shore A

