

# MEGI® Bearings

## Megi bearing

### Part No. 742 157

This large Megi box-shaped bearing can be used as a flexible mount for extremely heavy engines in vehicles and stationary assemblies. Cast aluminium was used for the core and flange parts to reduce the weight.

Rated shore hardness (spring curve has priority):

40° Shore A

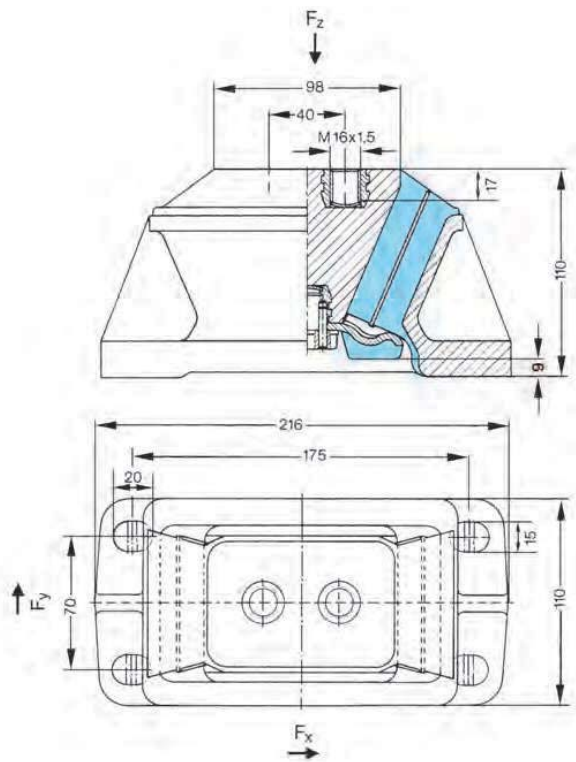
50° Shore A

60° Shore A

70° Shore A

Spring rates in operating range in N/mm ±20%

Shore A	40°±5	50°±5	60°±5	70°±5
$c_z$	450	680	1020	1570
$c_x$	1765	2450	3680	5690
$c_y$	170	235	345	590



Other dimensions and materials are available on request

