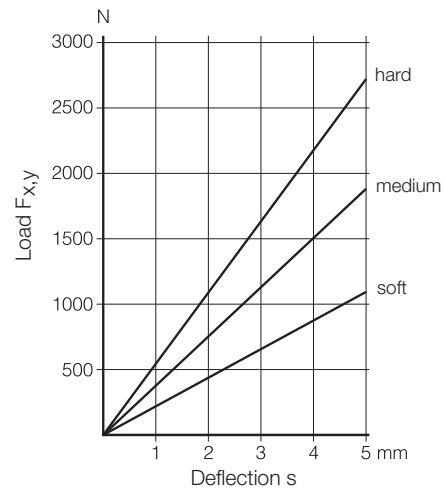
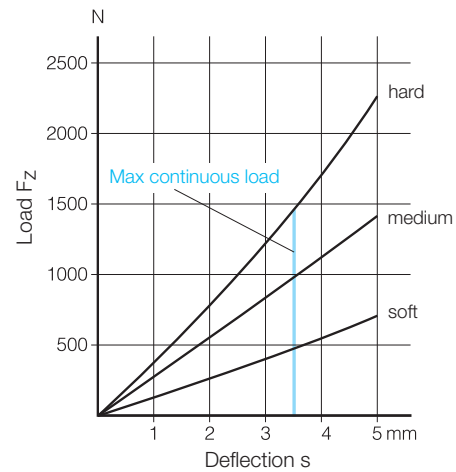
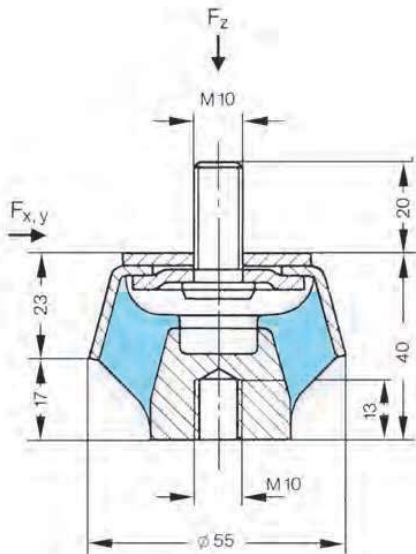


MEGI® Bearings

Megi bearing
Part No. 786 012

Versions:
 hard, medium, soft

This bearing was developed for light loads. It is soft in the axial direction and has sufficient stiffness in the radial direction. The single-hole mount and the resulting installation possibilities make this bearing particularly suitable for sheet metal structures. These articles are zinc coated and Cr6-free passivated.



Other dimensions and materials are available on request