

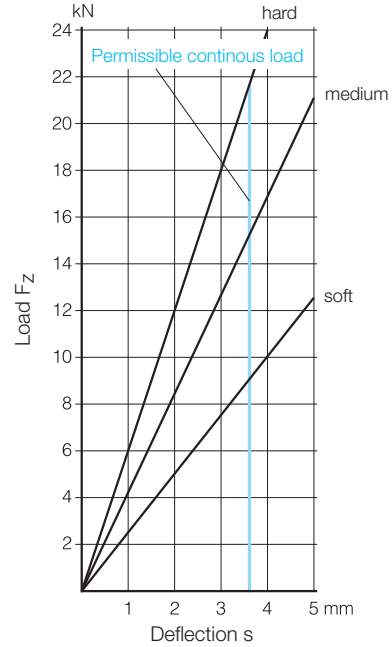
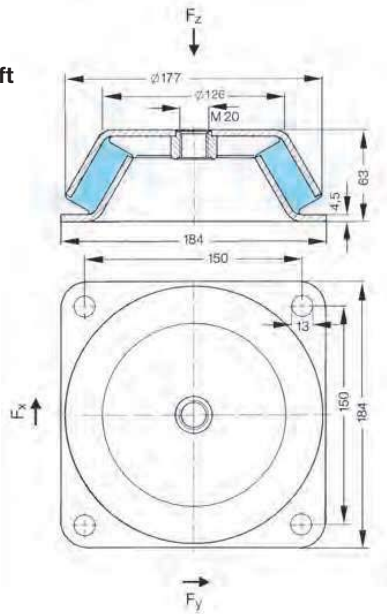
MEGI® Machine Mounts

Megi Machine Mounts

Part No. 786 010

Versions:

hard, medium, soft

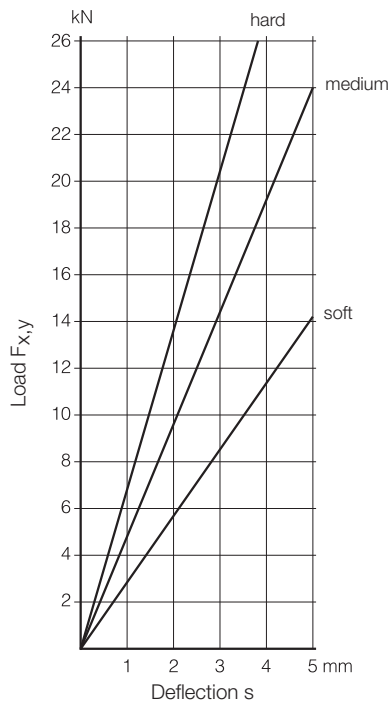
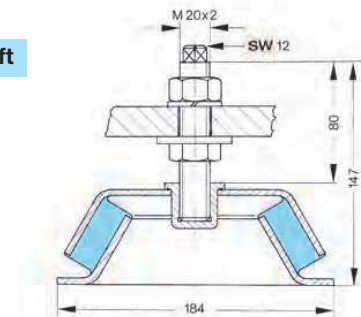


Megi Machine Mounts with height adjustment

Part No. 786 110

Versions:

hard, medium, soft

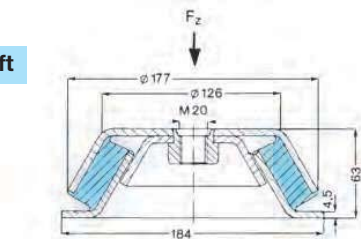


Megi Machine Mounts with tear-off protection

Part No. 786 210

Versions:

hard, medium, soft



Other dimensions and materials are available on request