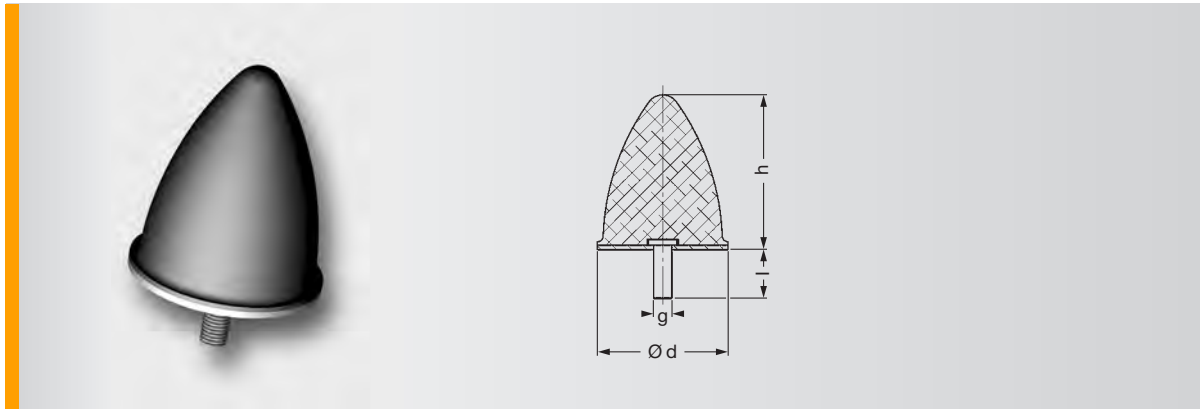


# SCHWINGMETALL® Impact Mounts



Parabolic spring 58496 - 58497		Dimensions				Max. Loads		Mass	Elastomer Hardness
Mould No.	Part No.	d [mm]	h [mm]	l [mm]	g	F <sub>z</sub> [N]	W [N/mm]	Piece [kg]	[Shore A]
58496	3915236000	21	24	19.0	M6	529	2.4	0.011	55
58495	3915235000	32	36	20.5	M8	1398	8.0	0.032	55
58497	3915237000	52	58	28.0	M10	3863	37.0	0.110	55

## Force and Energy Direction Diagrams

