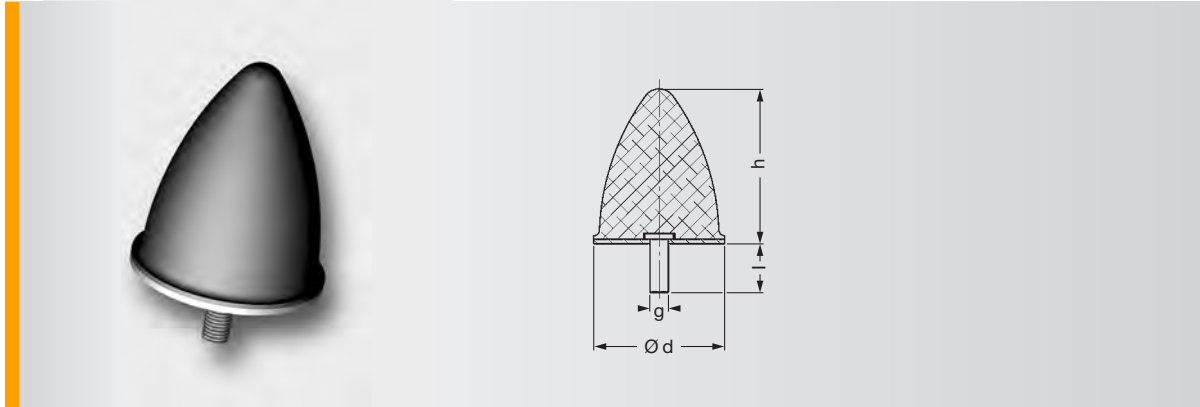


SCHWINGMETALL® Impact Mounts



Parabolic spring 58498 - 58499		Dimensions				Max. Loads		Mass	Elas-tomer Hardness [Shore A]
Mould No.	Part No.	d [mm]	h [mm]	l [mm]	g	F _z [N]	W [N/mm]	Piece [kg]	
58498	3915238000	75	89	37.0	M12	8524	120.0	0.345	55
58102	3915234000	115	136	43.0	M16	17122	412.0	1.200	55
58499	3915239000	165	195	43.0	M16	36228	1200.0	3.000	55

Force and Energy Direction Diagrams

