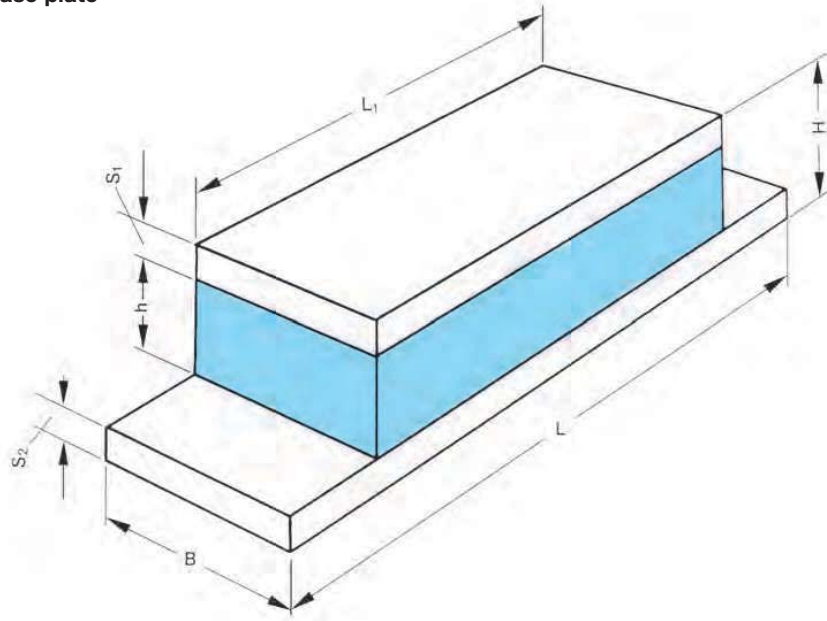


MEGI® Bars

Megi bars with extending base plate



| Dimensions in mm | | | | | | | Technical data | | | | | | | | | | | | Part No. |
|---------------------|----|----|----------------|----------------|-----|----------------|------------------------------------|--------|-------|--------------------------------------|--------|------|------------------------------------|--------|------|--------------------------------------|--------|------|----------|
| | | | | | | | Compression stress | | | | | | Shear stress | | | | | | |
| B | H | h | S ₁ | S ₂ | L | L ₁ | Spring rate c _D in N/mm | | | Perm. load F _{Perm.*} in kN | | | Spring rate c _S in N/mm | | | Perm. load F _{Perm.*} in kN | | | |
| | | | | | | | hard | medium | soft | hard | medium | soft | hard | medium | soft | hard | medium | soft | |
| 50 | 40 | 20 | 12 | 8 | 200 | 150 | 6500 | 4000 | 2300 | 13 | 8 | 5 | 500 | 300 | 200 | 2,5 | 1,5 | 1 | 711 023 |
| 50 | 40 | 20 | 12 | 8 | 270 | 220 | 11400 | 7100 | 4000 | 24 | 15 | 9 | 750 | 500 | 300 | 3,5 | 2 | 1,5 | 711 025 |
| 100 | 60 | 30 | 15 | 15 | 480 | 360 | 29000 | 18200 | 10400 | 94 | 59 | 35 | 1700 | 1000 | 600 | 11,5 | 7 | 4 | 711 019 |

*F_{Perm.} is the **permissible continuous static load** upon which a fluctuating dynamic load can be superimposed. If the Megi bars are subjected to shearing stress, it is essential to avoid tensile stress on the rubber during installation of the Megi bars. In order to obtain an adequate service life, the bars should be pretensioned.

Other dimensions and materials are available on request