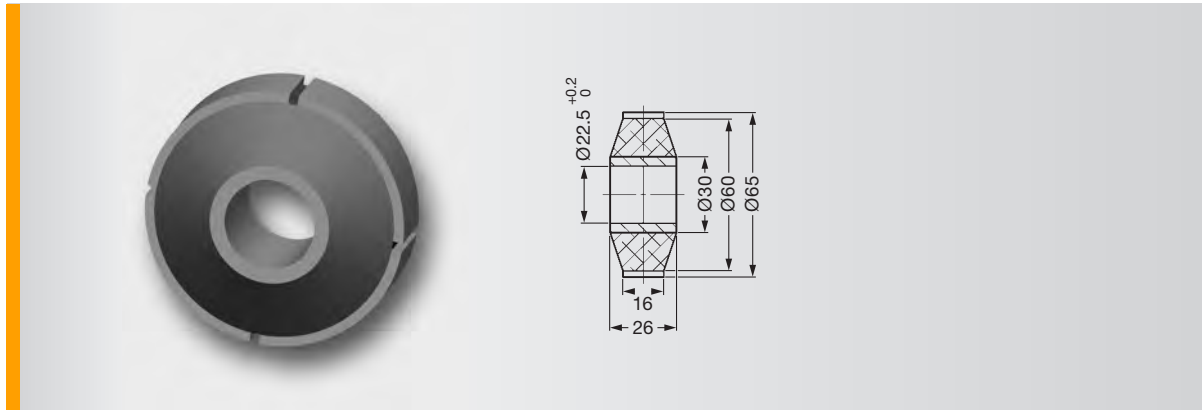


# SCHWINGMETALL® Torsion Bushings



## Ring Mounts 21489

Mould No.	Part No.	Spring Stiffness			Max. Loads			Mass Piece [kg]	Elastomer Hardness [Shore A]
		$C_x$ [N/mm]	$C_y$ [N/mm]	$C_z$ [N/mm]	$F_x$ [N]	$F_y$ [N]	$F_z$ [N]		
21489	3926402000	217	217	66	450	450	330	0.168	40
21489	3926202000	333	333	104	600	600	500	0.168	55
21489	3926102000	540	540	156	700	700	600	0.168	65

- ▶ four part outer ring,  
width of slit 1.5 mm  
assembly dimension  $\varnothing$  64 mm
- ▶ radial main direction of loading,  
static axial load prohibited

## Characteristic Curves of Mould No. 21489

