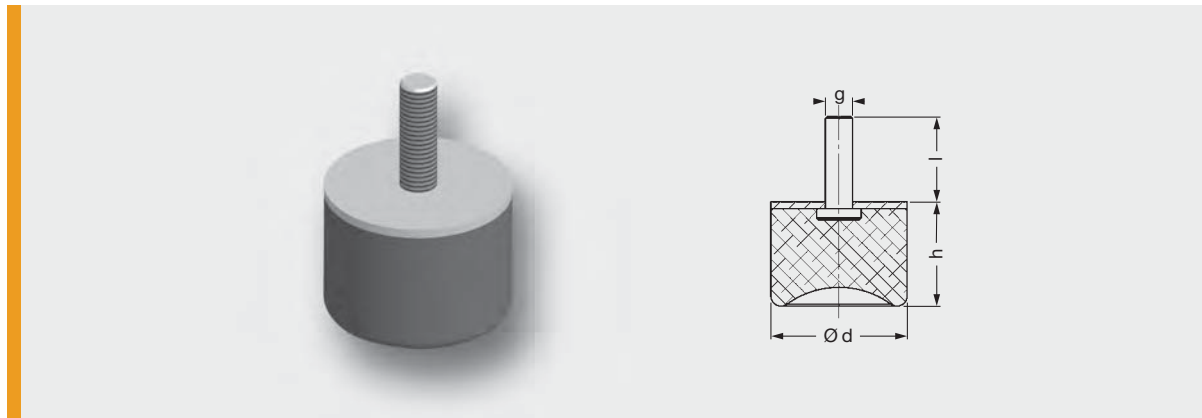


SCHWINGMETALL® Compression Mounts



Compression Mounts S Type

Mould No.	Part No.	Dimensions				Spring Stiffness			Max. Loads	Mass Piece [kg]	Elastomer Hardness [Shore A]
		d [mm]	h [mm]	l [mm]	g	C _x [N/mm]	C _y [N/mm]	C _z [N/mm]	F _z [N]		
25326/S	3919204000	15	14.0	13.0	M4	8	8	47	100	0.005	55
31658/S	3919206000	20	23.5	23.5	M6	10	10	63	150	0.015	55
20292/S	3919210000	25	18.5	18.5	M6	21	21	95	250	0.017	55
31660/S	3919213000	30	28.5	20.5	M8	13	13	81	350	0.037	55
20291/S	3919214000	40	28.5	24.5	M8	25	25	131	600	0.061	55
25333/S	3919218000	50	28.0	34.0	M10	43	43	208	1000	0.106	55
20290/S	3919220000	70	43.0	25.0	M10	57	57	295	1900	0.264	55
25327/S	3919221000	75	37.0	43.0	M12	64	64	366	2200	0.292	55
25335/S	3919225000	100	50.0	43.0	M16	93	93	513	4100	0.690	55