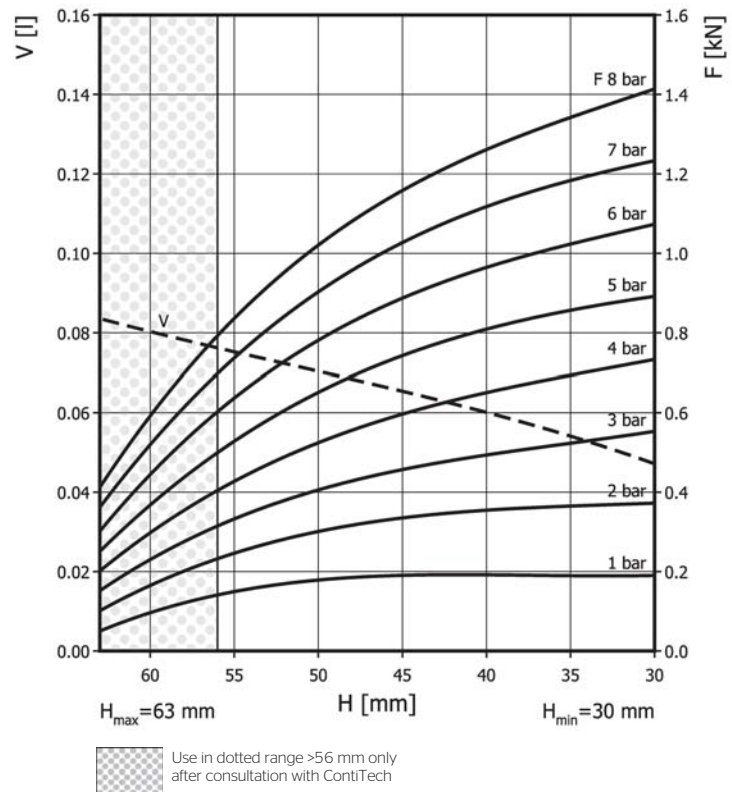
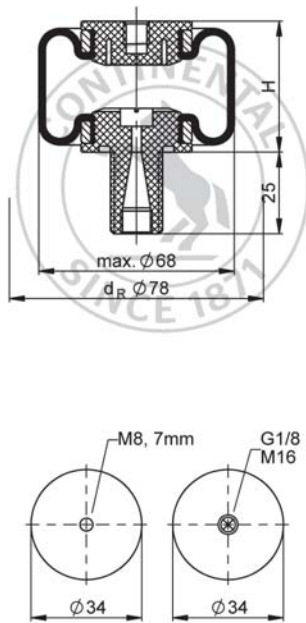


SK 19-4

Sleeve Type Air Actuator



Purchase order data

Type	Order No.
with plastic connecting parts, G1/8 air inlet 0 mm excentrical	61956

Additional types on request



Service instructions
M16: max. 14 Nm
M8: max. 5 Nm
G1/8: max. 25 Nm

Technical data

Min. pressure	0 bar
Return force to min height	≤ 46 N
Overall weight	0.07 kg

Pneumatic application - static characteristic values

Force F [kN]								
Pressure p [bar]	3	4	5	6	7	8	Vol. V [l]	
Height H [mm]	55	0.334	0.43	0.53	0.64	0.74	0.84	0.075
	45	0.45	0.59	0.739	0.88	1.02	1.15	0.066
	35	0.53	0.7	0.86	1.03	1.19	1.35	0.054