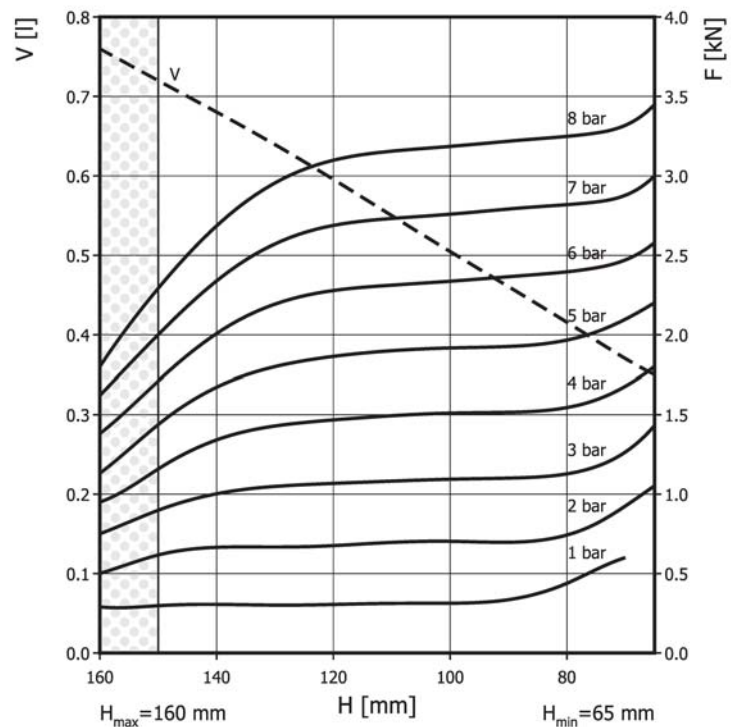
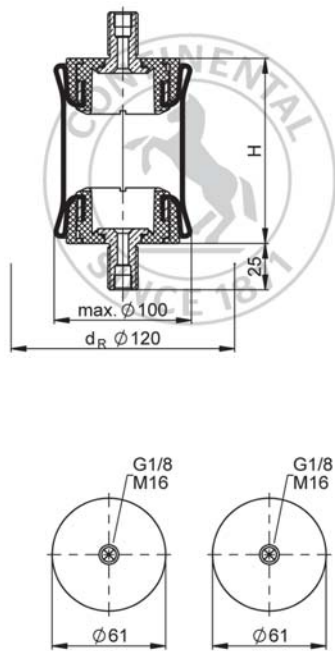


SZ 37-10 P02

Sleeve Type Air Actuator



Use in dotted range >150 mm only after consultation with ContiTech

Purchase order data

Type	Order No.
CR.Rubber bellows, with brass stud, G1/8 air inlet 0 mm excentrical	74013

Additional types on request



Service instructions
M16: max. 14 Nm
G1/8: Handtight plus one turn

Technical data

Min. pressure	0.9 bar
Return force to min height	≤ 440 N
Overall weight	0.35 kg

Pneumatic application - static characteristic values

Force F [kN]

Pressure p [bar]	3	4	5	6	7	8	Vol. V [l]
150	0.9	1.16	1.44	1.71	2	2.29	0.72
130	1.05	1.43	1.8	2.19	2.57	2.95	0.64
110	1.08	1.49	1.89	2.31	2.73	3.16	0.55
90	1.11	1.52	1.93	2.36	2.79	3.22	0.46
70	1.27	1.68	2.1	2.47	2.88	3.32	0.37