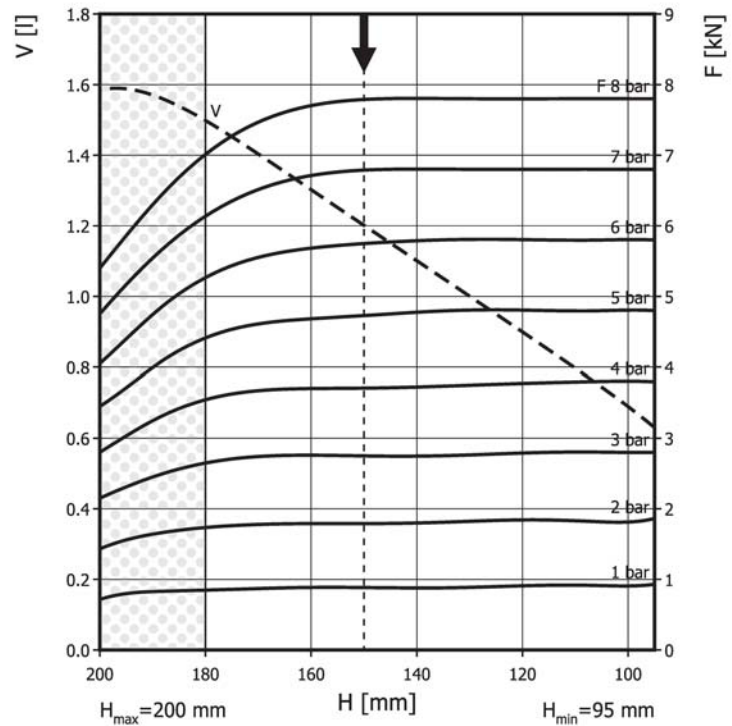
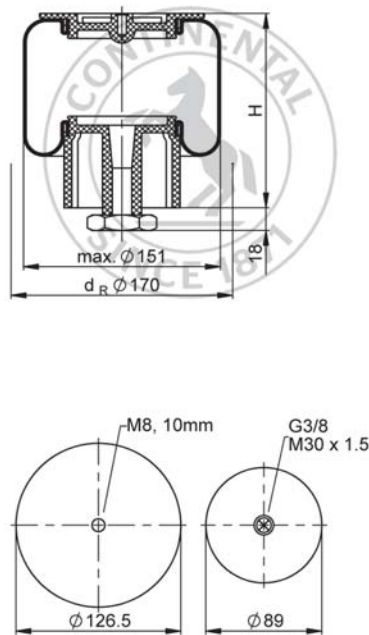


SZ 100-11

Sleeve Type Air Actuator



Use in dotted range >180 mm only after consultation with ContiTech



Recommended height for vibration isolation: 150 mm

Purchase order data

Type	Order No.
with plastic connecting parts, G3/8 air inlet	2687045000

Additional types on request

Technical data

Min. pressure	0.9 bar
Return force to min height	≤ 900 N
Overall weight	0.7 kg

Vibration isolation - dynamic characteristic values

Design height H: recommended 150mm, guidance in lateral direction required

Pressure p [bar]	3	4	5	6	7	8	Vol. V [l]
Force (Load) [kN]	2.8	3.7	4.7	5.7	6.8	7.8	
Spring rate [N/mm]	435	545	655	765	875	985	
Natural frequency [Hz]	2.0	1.9	1.9	1.8	1.8	1.8	

Pneumatic application - static characteristic values

Force F [kN]

Pressure p [bar]	3	4	5	6	7	8	Vol. V [l]	
Height H [mm]	175	2.7	3.6	4.55	5.45	6.4		7.3
	160	2.75	3.7	4.7	5.7	6.7	7.7	1.3
	145	2.75	3.7	4.75	5.8	6.8	7.8	1.1
	130	2.75	3.75	4.8	5.8	6.8	7.8	1
	115	2.8	3.8	4.8	5.8	6.8	7.8	0.85
	100	2.8	3.8	4.8	5.8	6.8	7.8	0.69


 Service instructions
 M30x1.5: max. 40 Nm
 M8: max. 5 Nm
 G3/8: max. 10 Nm