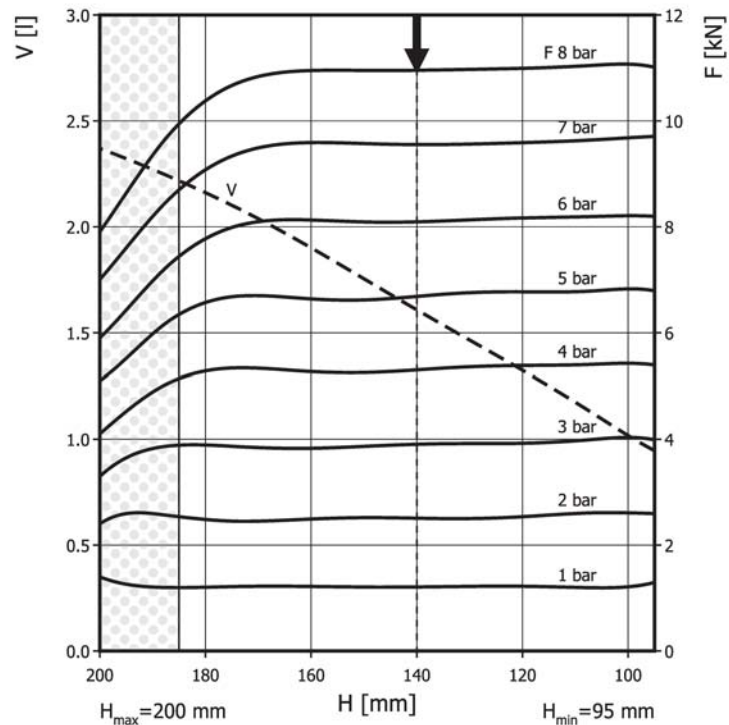
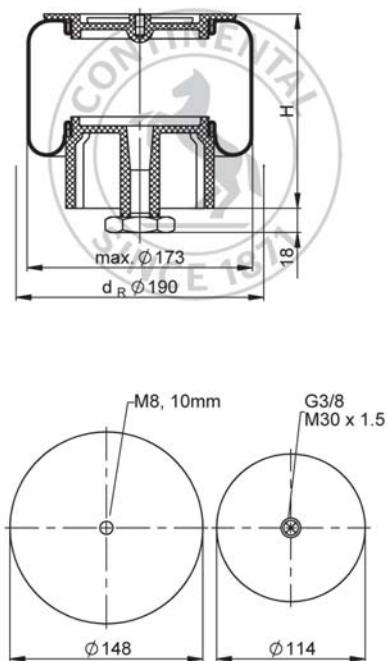


SZ 140-11

Sleeve Type Air Actuator



Use in dotted range >185 mm only after consultation with ContiTech



Recommended height for vibration isolation: 140 mm

Purchase order data

Type	Order No.
with plastic connecting parts, G3/8 air inlet 0 mm excentrical	2687060000

Additional types on request

Technical data

Min. pressure	0.9 bar
Return force to min height	≤ 1300 N
Overall weight	1 kg

Vibration isolation - dynamic characteristic values

Design height H: recommended 140mm, guidance in lateral direction required

Pressure p [bar]	3	4	5	6	7	8	Vol. V [l]
Force (Load) [kN]	3.9	5.3	6.7	8.1	9.6	10.9	
Spring rate [N/mm]	81	102	124	146	169	192	
Natural frequency [Hz]	2.3	2.2	2.2	2.1	2.1	2.1	

Pneumatic application - static characteristic values

Force F [kN]

Pressure p [bar]	3	4	5	6	7	8	Vol. V [l]	
Height H [mm]	175	3.9	5.4	6.7	8	9.3		10.6
	160	3.8	5.2	6.6	8.1	9.6	11	1.9
	145	3.9	5.3	6.7	8.1	9.55	10.9	1.7
	130	3.9	5.3	6.7	8.1	9.6	11	1.5
	115	3.95	5.4	6.75	8.15	9.6	11	1.3
	100	4	5.4	6.8	8.2	9.7	11.1	1


 Service instructions
 M30x1.5: max. 40 Nm
 M8: max. 5 Nm
 G3/8: max. 10 Nm