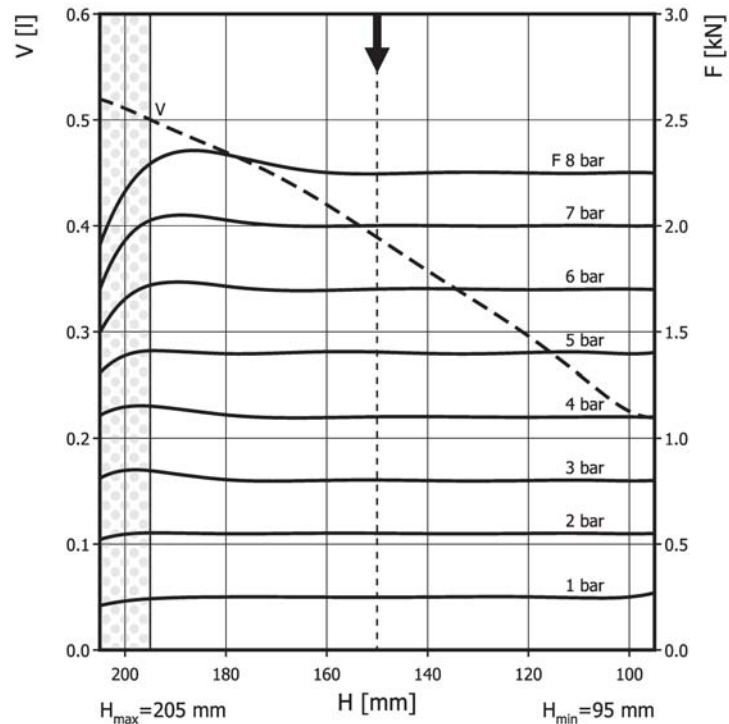
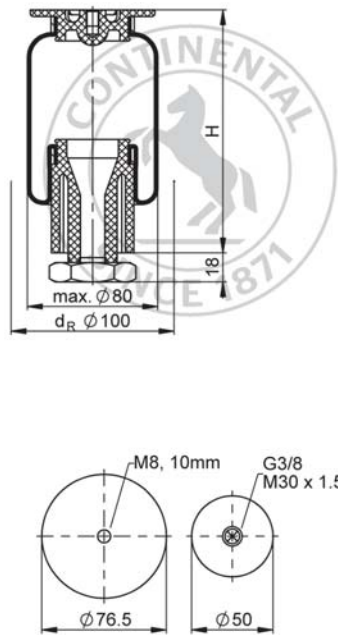


SZ 35-11

Sleeve Type Air Actuator



Use in dotted range >195 mm only after consultation with ContiTech



Recommended height for vibration isolation: 150 mm

Purchase order data

Type	Order No.
with plastic connecting parts, G3/8 air inlet 0 mm excentrical	2687001000

Additional types on request

Technical data

Min. pressure	0.9 bar
Return force to min height	≤ 350 N
Overall weight	0.4 kg

Vibration isolation - dynamic characteristic values

Design height H: recommended 150mm, guidance in lateral direction required

Pressure p [bar]	3	4	5	6	7	8	Vol. V [l]
Force (Load) [kN]	0.8	1.1	1.4	1.7	2	2.3	0.39
Spring rate [N/mm]	16.5	20	23.5	27	30.5	34	
Natural frequency [Hz]	2.3	2.1	2.1	2.0	2.0	2.0	

Pneumatic application - static characteristic values

Force F [kN]

Pressure p [bar]	3	4	5	6	7	8	Vol. V [l]
Height H [mm]	190	0.835	1.15	1.4	1.75	2.05	0.49
	160	0.8	1.1	1.4	1.7	2	0.42
	130	0.8	1.1	1.4	1.7	2	0.33
	100	0.8	1.1	1.4	1.7	2	0.23


 Service instructions
 M30x1.5: max. 40 Nm
 M8: max. 5 Nm
 G3/8: max. 10 Nm