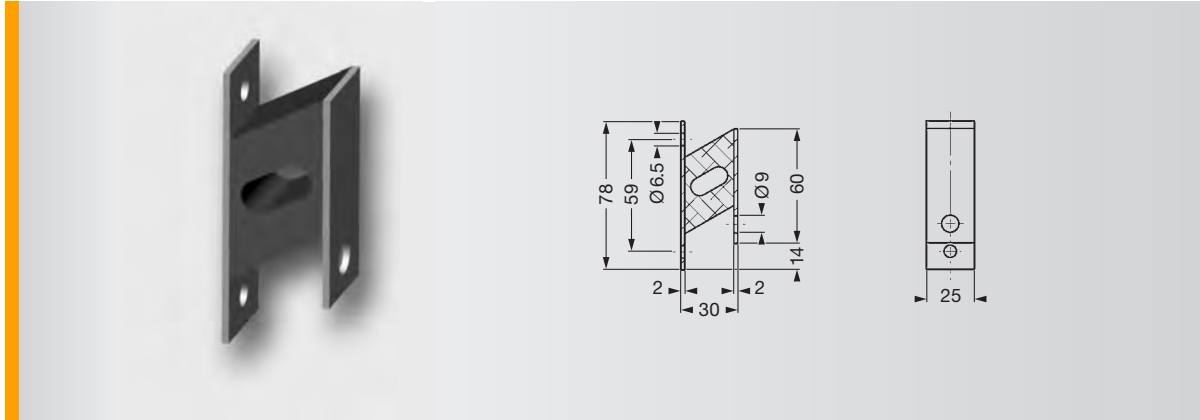


# SCHWINGMETALL® Special Mounts



## Shear Mounts 21423

Mould No.	Part No.	Spring Stiffness			Max. Loads			Mass [kg]	Elas- tomer Hardness [Shore A]
		C <sub>x</sub> [N/mm]	C <sub>y</sub> [N/mm]	C <sub>z</sub> [N/mm]	F <sub>x</sub> [N]	F <sub>y</sub> [N]	F <sub>z</sub> [N]		
21423	3946404000	43	8	8	130	40	100	0.076	40
21423	3946204000	83	14	14	205	70	200	0.076	55
21423	3946104000	128	23	23	300	120	250	0.076	65