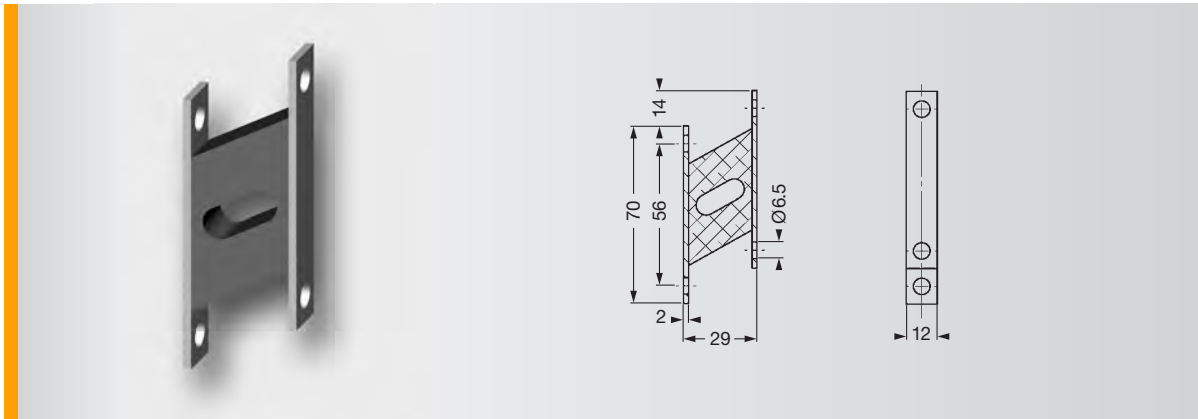


SCHWINGMETALL® Special Mounts



Shear Mounts 25187

Mould No.	Part No.	Spring Stiffness			Max. Loads			Mass Piece [kg]	Elastomer Hardness [Shore A]
		C_x [N/mm]	C_y [N/mm]	C_z [N/mm]	F_x [N]	F_y [N]	F_z [N]		
25187	3946403000	20	4	4	60	20	40	0.035	40
25187	3946203000	39	6	6	110	40	80	0.035	55
25187	3946103000	60	10	10	180	50	100	0.035	65