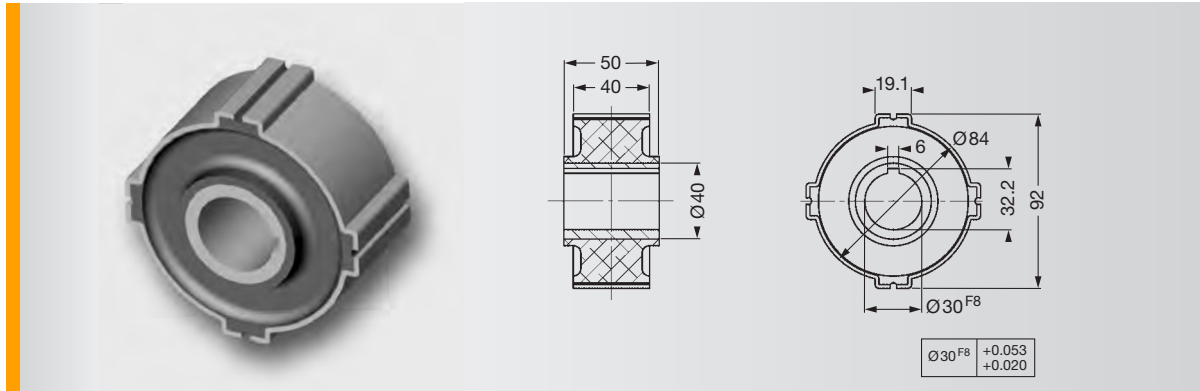


# SCHWINGMETALL® Torsion Bushings



## Torsion Bushing 27843a

Mould No.	Part No.	Spring Stiffness			Max. Loads			Mass [kg]	Elas- tomer Hardness [Shore A]
		$C_x$ [N/mm]	$C_y$ [N/mm]	$C_z$ [N/mm]	$F_x$ [N]	$F_y$ [N]	$F_z$ [N]		
27843a	3926404000	554	554	124	1100	1100	950	0.53	40
27843a	3926204000	990	990	207	1750	1750	1650	0.53	55
27843a	3926104000	1652	1652	326	1800	1800	2200	0.53	65

- ▶ four part outer ring,  
width of slit 1.2 mm  
assembly dimension Ø 83 mm
- ▶ radial main direction of loading,  
static axial load prohibited

## Characteristic Curves of Mould No. 27843a

