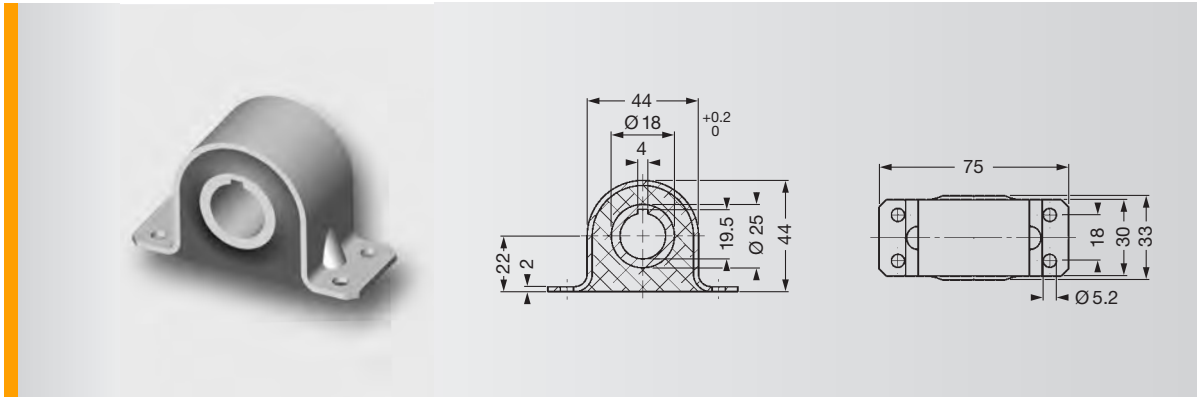


SCHWINGMETALL® Torsion Bushings



Torsion Mounts Mould No. 31510

Mould No.	Part No.	Spring Stiffness			Max. Loads			Mass Piece [kg]	Elas- tomer Hardness [Shore A]
		C_x [N/mm]	C_y [N/mm]	C_z [N/mm]	F_x [N]	F_y [N]	F_z [N]		
31510	3936401001	800	152	800	850	750	850	0.153	40
31510	3936201001	1413	267	1413	1100	1100	1100	0.153	55
31510	3936101001	2187	400	2187	1150	1300	1150	0.153	65

- radial main direction of loading,
static axial load prohibited

Characteristic Curves of Mould No. 31510

