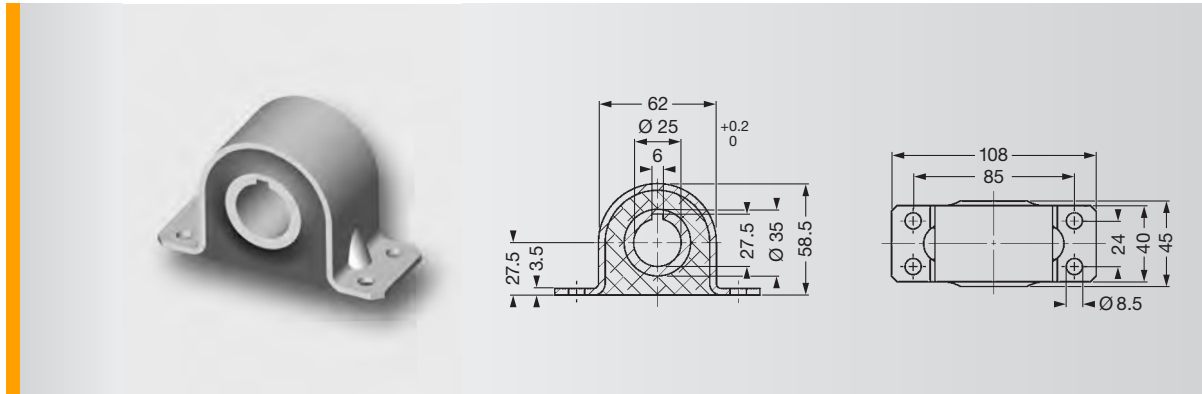


SCHWINGMETALL® Torsion Bushings



Torsion Mounts 31700

Spring Stiffness			Max. Loads			Mass Piece [kg]	Elas- tomer Hardness [Shore A]	Mould No.	Part No.
C_x [N/mm]	C_y [N/mm]	C_z [N/mm]	F_x [N]	F_y [N]	F_z [N]				
1259	189	1259	1500	1100	1500	0.423	40	31700	3936402001
2267	344	2267	2200	1900	2200	0.423	55	31700	3936202001
3378	567	3378	2800	2200	2800	0.423	65	31700	3936102001

- radial main direction of loading,
static axial load prohibited

Characteristic Curves of Mould No. 31700

