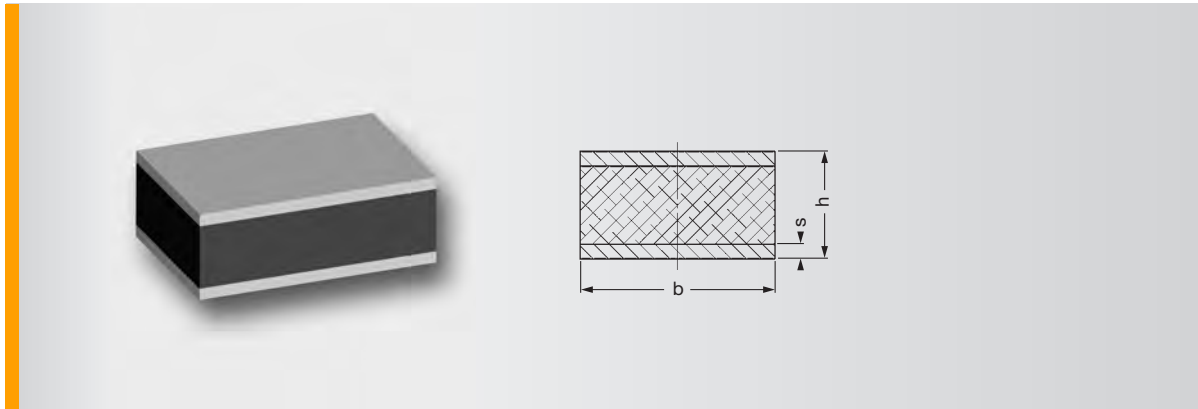


SCHWINGMETALL® Railstrips



Railstrips Type 1 24472b - 38417a												
Mould No.	Part No.	Dimensions				Spring Stiffness 1)		max. Loads 1)		Min. Natural Frequency 2)	Mass	Elas-tomer
		b [mm]	h [mm]	Length [mm]	s [mm]	C _{x,y} [N/mm]	C _z [N/mm]	F _{x,y} [N]	F _z [N]	f _e min ⁻¹	Piece [kg]	Hardness [Shore A]
24472b	■	100	65	2000	15	22	267	225	650	605	53.86	55
24472a	3975226000	100	70	2000	15	19	195	225	600	539	54.84	55
24472d	3975256000	100	75	2000	15	16	141	215	550	480	55.93	55
24472	3975227000	100	80	2000	15	14	122	210	500	466	57.02	55
24472c	3975257000	100	90	2000	15	12	84	200	500	388	59.20	55
21422b	■	120	45	2000	15	55	1338	260	900	1155	62.14	55
21422a	■	120	60	2000	15	37	554	260	900	743	66.50	55
21422	■	120	70	2000	15	24	266	260	750	563	69.87	55
21055b	■	150	50	2000	15	70	1573	420	1000	1186	77.48	55
21055a	3975232000	150	60	2000	15	40	809	380	920	886	80.66	55
21055	3975233000	150	80	2000	15	28	310	380	840	575	87.21	55
58394	3975234000	150	100	2000	15	19	142	380	760	408	93.76	55
38417c	3975261000	200	70	2000	15	48	902	560	1600	710	121.50	55
38417b	3975260000	200	90	2000	15	31	350	560	1480	460	130.30	55
38417	3975236000	200	100	2000	15	27	218	560	1360	379	134.70	55
38417a	3975259000	200	110	2000	15	23	191	550	1240	371	139.10	55

■ made-to-order item

1) The indicated stiffness and maximum loads refer to a railstrip 10 mm long.

2) The minimal natural frequency values refer to maximum loads.

Tolerance reference dimension see drawing at www.schwingmetall.com