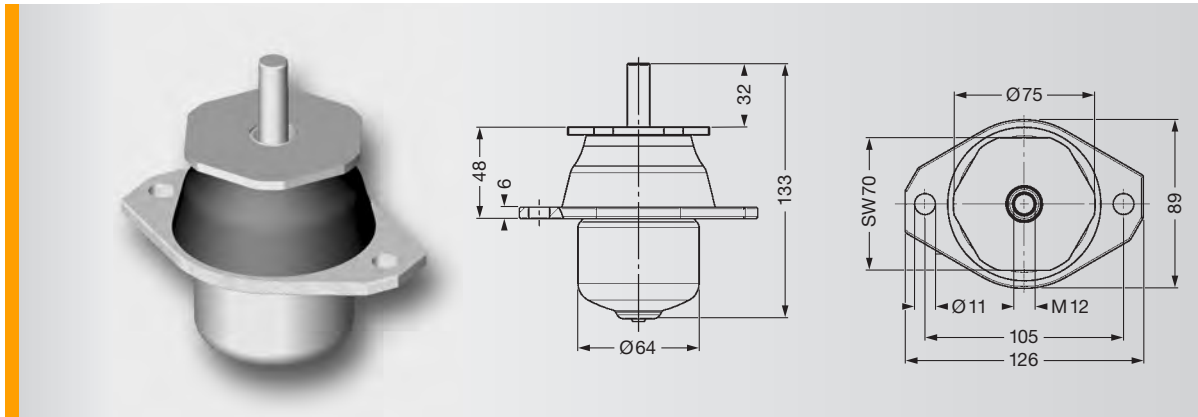


SCHWINGMETALL® Hydromounts

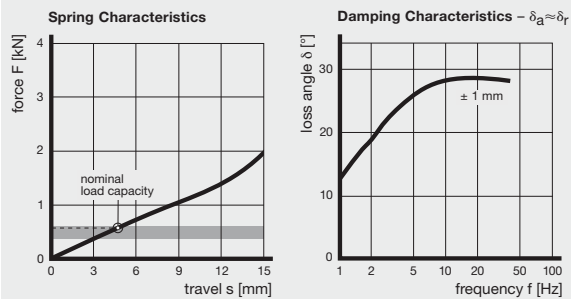


Hydromount V 1500 plus

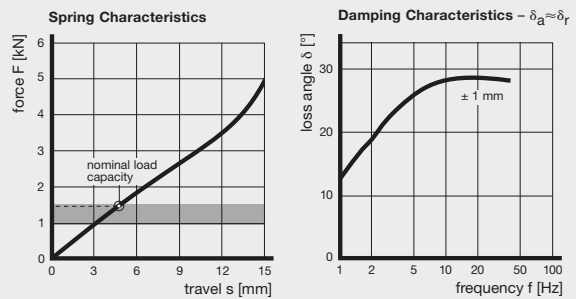
Mould No.	Part No.	Spring Stiffness			Max. Loads			Mass Piece [kg]	Elastomer Hardness [Shore A]
		C_x [N/mm]	C_y [N/mm]	C_z [N/mm]	F_x [N]	F_y [N]	F_z [N]		
210 736	400006782	60	60	160	300	300	600	2.8	40
210 736	400006507	100	100	300	600	600	1500	2.8	55
210 736	400006740	150	150	500	800	800	2500	2.8	68

Characteristic Curves Hydromount V 1500 plus

40 Shore A



55 Shore A



68 Shore A

