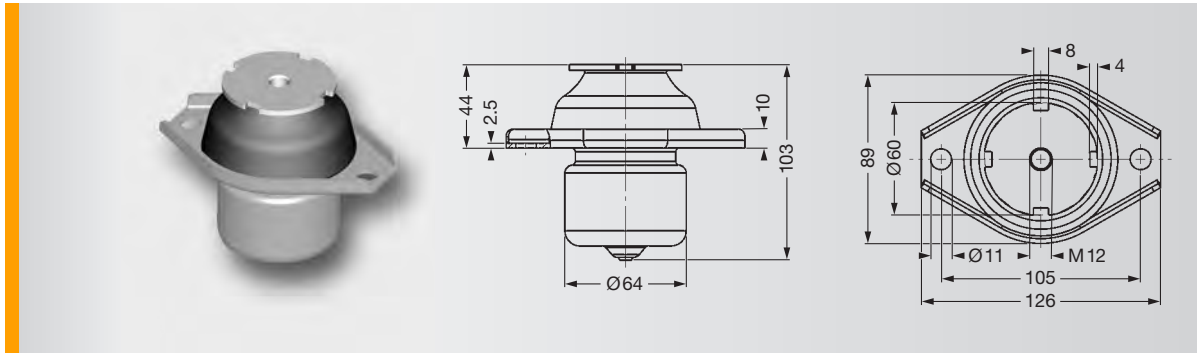


SCHWINGMETALL® Hydromounts



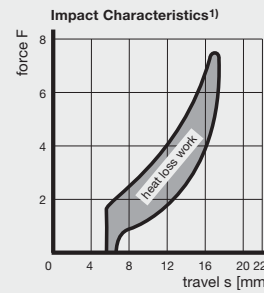
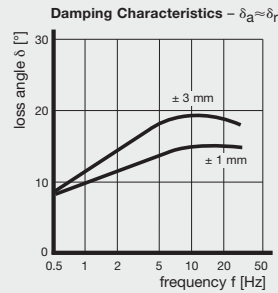
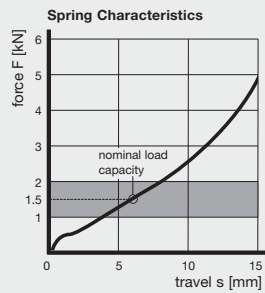
Hydromount V 1500

Hydro-mount	Mould No.	Part No.	Spring Stiffness				Max. Loads			Pull-Out Strength [kN]	Mass Piece [kg]	Elastomer Hardness [Shore A]
			C_x [N/mm]	C_y [N/mm]	C_z [N/mm]	C_{dyn} [N/mm]	F_x [N]	F_y [N]	F_z [N]			
V 1500	54439	3978813001	58	58	228	770	458	458	1500	>15	0.775	55
V 1500	54439	3978812010	74	74	290	1080	530	530	1750	>15	0.775	60
V 1500	54439	3978811001	115	115	450	1730	750	750	2450	>15	0.775	70

- ▶ Maximum permitted slanted position to direction of loading is 15°
- ▶ The fastening flange must be entirely supported outside of the mount

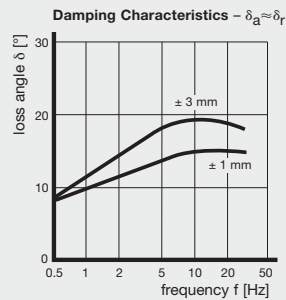
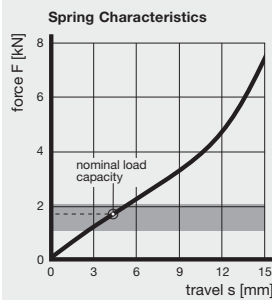
Characteristic Curves Hydromount V 1500

55 Shore A



1) impact during nominal load

60 Shore A



70 Shore A

