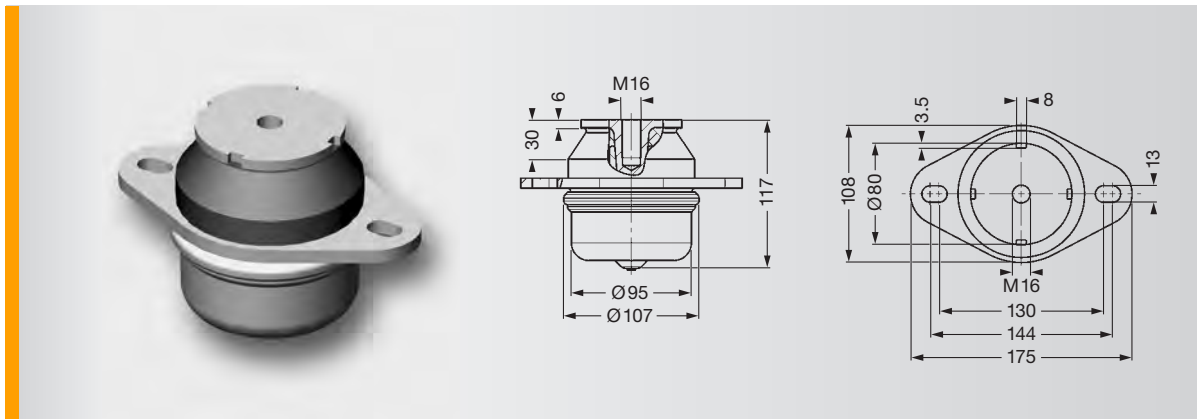


SCHWINGMETALL® Hydromounts



Hydromount V 3200

Hydro-mount	Mould No.	Part No.	Spring Stiffness				Max. Loads			Pull-Out Strength [kN]	Mass [kg]	Elastomer Hardness [Shore A]
			C_x [N/mm]	C_y [N/mm]	C_z [N/mm]	C_{dyn} [N/mm]	F_x [N]	F_y [N]	F_z [N]			
V 3200	210182	3978815001	108	108	568	1520	1035	1035	3500	>30	1.100	55

- ▶ Maximum permitted slanted position to direction of loading is 15°
- ▶ The fastening flange must be entirely supported outside of the mount

Characteristic Curves Hydromount V 3200

55 Shore A

