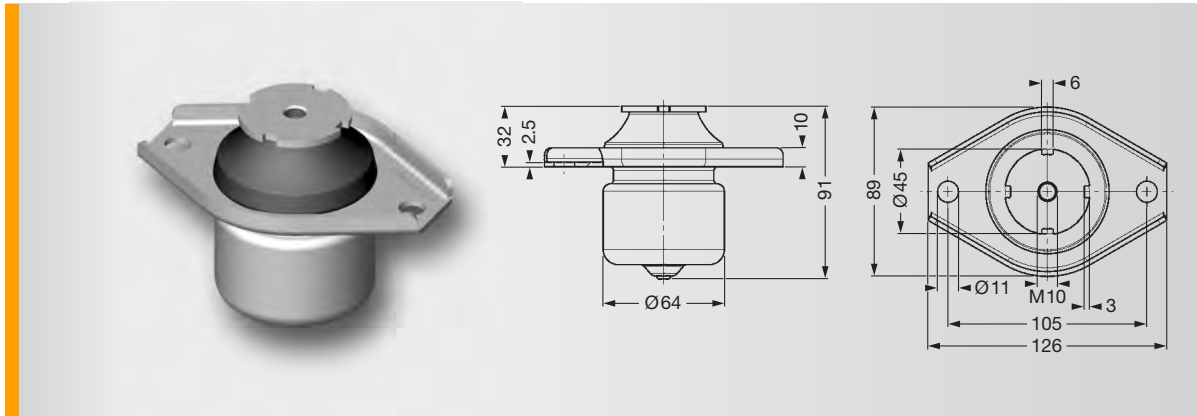


SCHWINGMETALL® Hydromounts



Hydromount V 600

Hydro-mount	Mould No.	Part No.	Spring Stiffness				Max. Loads			Pull-Out Strength [kN]	Mass Piece [kg]	Elastomer Hardness [Shore A]
			C_x [N/mm]	C_y [N/mm]	C_z [N/mm]	C_{dyn} [N/mm]	F_x [N]	F_y [N]	F_z [N]			
V 600	100787	3978810001	45	45	159	520	194	194	750	> 9	0.593	45

- ▶ Maximum permitted slanted position to direction of loading is 15°
- ▶ The fastening flange must be entirely supported outside of the mount

Characteristic Curves Hydromount V 600

45 Shore A

