

## MEGI® Bearings

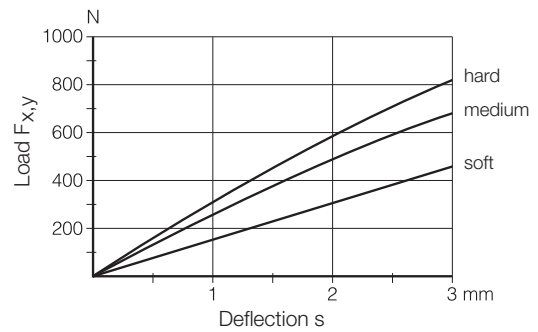
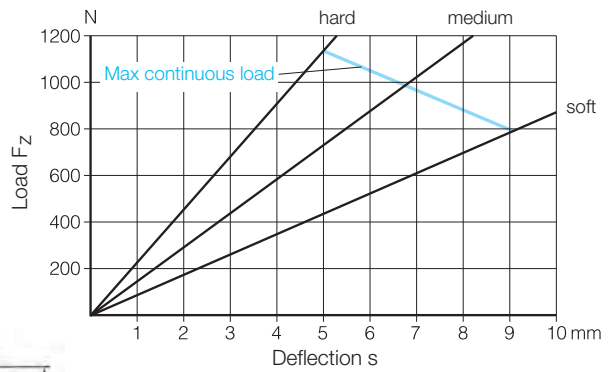
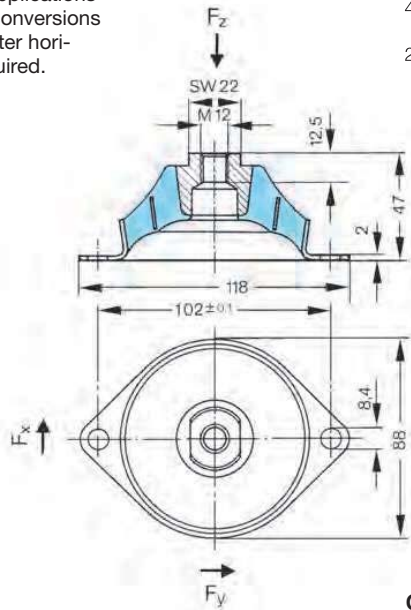
**Megi bearing**

**Part No. 742 022**

**Versions:**

**hard, medium, soft**

This rubber metal bearing is suitable for mounting equipment, fans, compressor units, etc. particularly in applications where soft vertical conversions combined with greater horizontal rigidity is required.



Other dimensions and materials are available on request