

# PHOENIX

## ALIVIO 2000

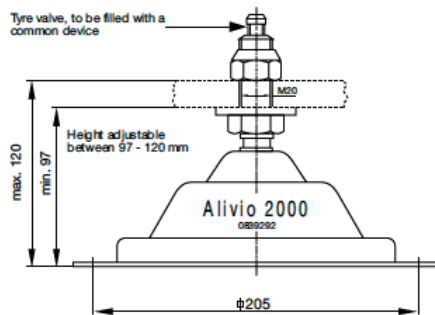
- ✓ Low system frequency
- ✓ High internal damping
- ✓ Load independant at application range up to 5000 N
- ✓ Limited displacements in all directions
- ✓ Low ratio in stiffness lateral - vertical



### Product information

**ALIVIO 2000** is an air cushioned Megi-machine mount. Its superior advantages are applicable in a wide variety of different applications. The displacement under static load can be adjusted to an optimal operating point by regulation of the air pressure. The low vertical stiffness is nearly constant over a wide range of pressure. Critical resonance speed approximately 150 rpm. High vibration isolation degree from ideal till maximum engine speed.

### Installation Dimensions



### Static Stiffness Curves

