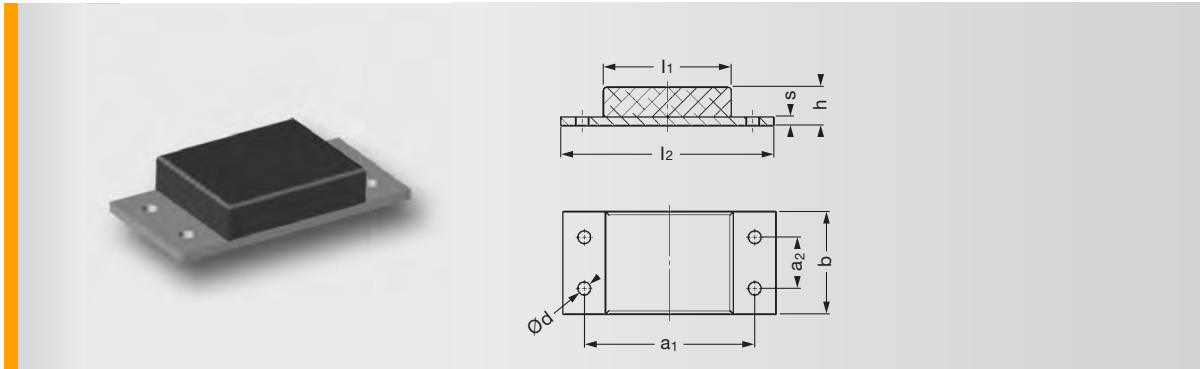


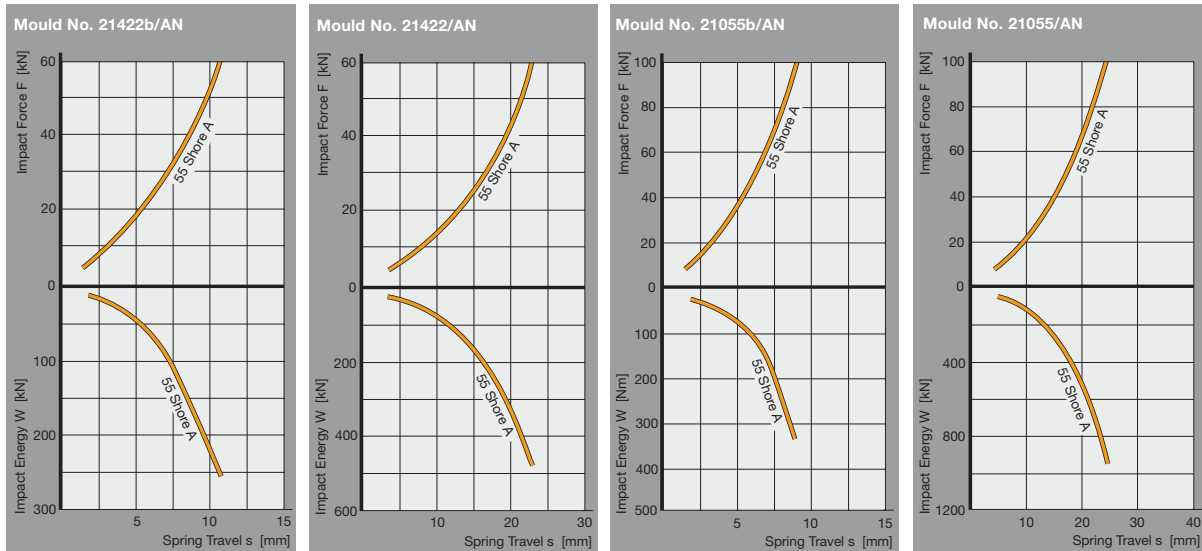
# SCHWINGMETALL® Heavy-Duty Impact Mounts



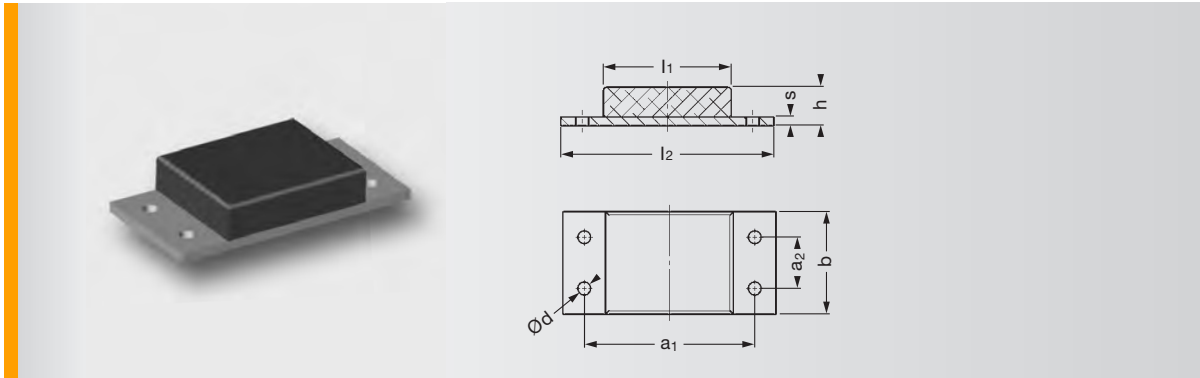
Heavy-Duty Impact Mounts 21422b/AN - 21055/AN		Dimensions								Max. Loads		Mass	Elas-tomer
Mould No.	Part No.	a1	a2	b	d	h	l1	l2	s	F <sub>z</sub>	W	Piece	Hardness [Shore A]
		[mm]	[mm]	[mm]	[mm]	[mm]	[mm]	[mm]	[mm]	[N]	[N/mm]		
21422b/AN	3974507000	200	60	120	4 x 15	45	150	250	10	58491	250	2.900	55
21422/AN	3974508000	200	60	120	4 x 15	70	150	250	10	58654	497	3.470	55
21055b/AN	3975509000	250	80	150	4 x 17	50	200	300	15	97971	330	6.150	55
21055/AN	3975510000	250	80	150	4 x 17	80	200	300	15	99552	950	7.250	55

1) a2 without value means only one hole bored in the center.

## Force and Energy Direction Diagrams



# SCHWINGMETALL® Heavy-Duty Impact Mounts



## Heavy-Duty Impact Mounts 25081b/AN - 24472/AN

Mould No.	Part No.	Dimensions								Max. Loads		Mass [kg]	Elastomer Hardness [Shore A]
		a1 [mm]	a2 [mm]	b [mm]	d [mm]	h [mm]	l1 [mm]	l2 [mm]	s [mm]	F <sub>Z</sub> [N]	W [N/mm]		
25081b/AN	3973501000	100	1)	50	2 x 8.5	35	70	130	5	10100	40	0.360	55
25080/AN	3973502000	100	1)	50	2 x 8.5	70	70	130	5	9614	89	0.500	55
20299/AN	3974505000	160	50	100	4 x 13	45	120	200	10	36256	175	1.935	55
24472/AN	3974506000	160	50	100	4 x 13	80	120	200	10	35758	420	2.430	55

1) a2 without value means only one hole bored in the center.

## Force and Energy Direction Diagrams

