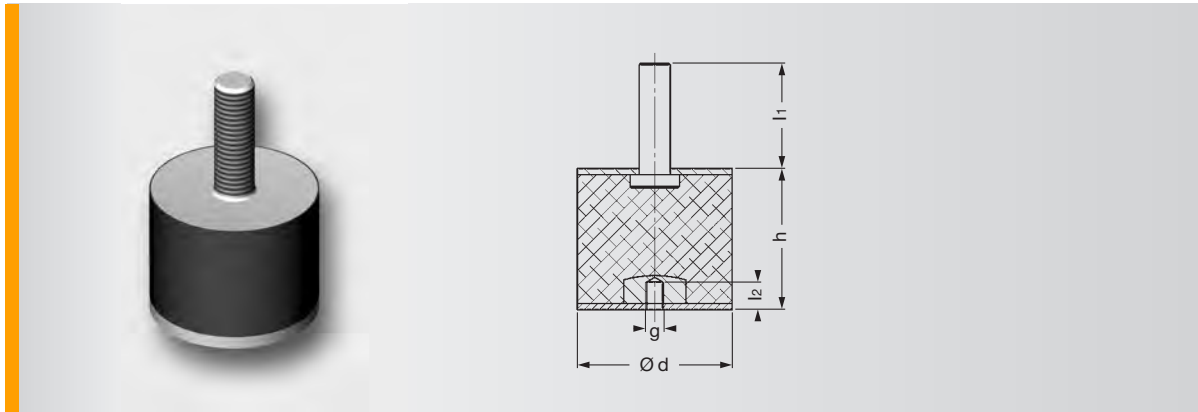


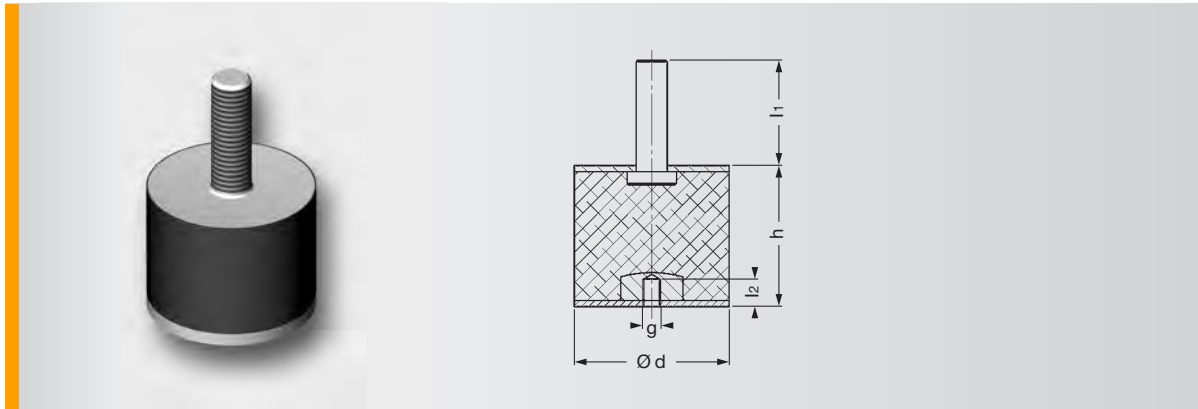
SCHWINGMETALL® Compression Mounts



Compression Mounts B Type 25326/B - 25356/B

Mould No.	Part No.	Dimensions					Spring Stiffness			Max. Loads			Mass Piece [kg]	Elastomer Hardness [Shore A]
		d [mm]	h [mm]	l1 [mm]	l2 [mm]	g	C _x [N/mm]	C _y [N/mm]	C _z [N/mm]	F _x [N]	F _y [N]	F _z [N]		
25326/B	3912404000	15	15	13.0	4.5	M4	7	7	41	35	35	90	0.007	40
25326/B	3912204000	15	15	13.0	4.5	M4	12	12	77	40	40	125	0.007	55
25326/B	3912104000	15	15	13.0	4.5	M4	19	19	120	43	43	160	0.007	65
25259/B	3912405000	15	30	16.0	4.5	M4	1	1	13	34	34	90	0.010	40
25259/B	3912205000	15	30	16.0	4.5	M4	3	3	26	36	36	125	0.010	55
25259/B	3912105000	15	30	16.0	4.5	M4	4	4	41	37	37	160	0.010	65
31658/B	3912406000	20	25	19.0	6.0	M6	7	7	39	60	60	150	0.021	40
31658/B	3912206000	20	25	19.0	6.0	M6	12	12	73	65	65	180	0.021	55
31658/B	3912106000	20	25	19.0	6.0	M6	19	19	114	70	70	225	0.021	65
20292a/B	3912408000	25	15	18.5	6.0	M6	42	42	250	100	100	250	0.023	40
20292a/B	3912208000	25	15	18.5	6.0	M6	80	80	445	110	110	400	0.023	55
20292a/B	3912108000	25	15	18.5	6.0	M6	125	125	676	120	120	500	0.023	65
20292/B	3912410000	25	20	18.5	6.0	M6	18	18	74	100	100	250	0.025	40
20292/B	3912210000	25	20	18.5	6.0	M6	34	34	141	110	110	350	0.025	55
20292/B	3912110000	25	20	18.5	6.0	M6	53	53	220	120	120	450	0.025	65
21239/B	3912411000	25	30	18.5	6.0	M6	9	9	37	100	100	250	0.031	40
21239/B	3912211000	25	30	18.5	6.0	M6	16	16	72	110	110	300	0.031	55
21239/B	3912111000	25	30	18.5	6.0	M6	24	24	113	120	120	400	0.031	65
25356/B	3912412000	30	20	20.5	7.0	M8	24	24	112	150	150	350	0.045	40
25356/B	3912212000	30	20	20.5	7.0	M8	43	43	212	160	160	500	0.045	55
25356/B	3912112000	30	20	20.5	7.0	M8	67	67	330	170	170	600	0.045	65

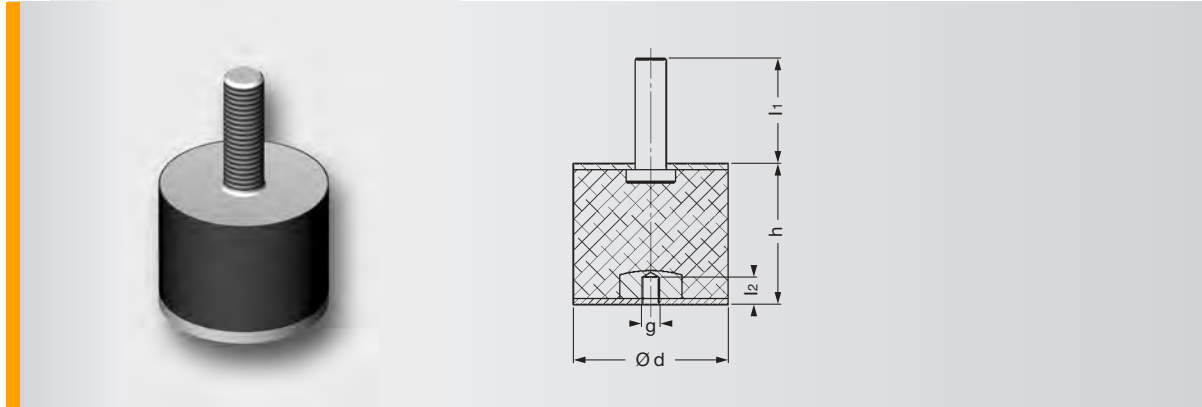
SCHWINGMETALL® Compression Mounts



Compression Mounts B Type 31660/B - 27797/B

Mould No.	Part No.	Dimensions					Spring Stiffness			Max. Loads			Mass [kg]	Elastomer Hardness [Shore A]
		d [mm]	h [mm]	l ₁ [mm]	l ₂ [mm]	g	C _x [N/mm]	C _y [N/mm]	C _z [N/mm]	F _x [N]	F _y [N]	F _z [N]		
31660/B	3912413000	30	30	30.0	7.0	M8	11	11	66	150	150	350	0.052	40
31660/B	3912213000	30	30	30.0	7.0	M8	20	20	126	160	160	420	0.052	55
31660/B	3912113000	30	30	30.0	7.0	M8	31	31	196	170	170	600	0.052	65
20291/B	3912414000	40	30	24.5	7.0	M8	25	25	140	250	250	630	0.084	40
20291/B	3912214000	40	30	24.5	7.0	M8	46	46	262	260	260	850	0.084	55
20291/B	3912114000	40	30	24.5	7.0	M8	71	71	406	270	270	1050	0.084	65
27796/B	3912426000	40	40	24.5	7.0	M8	13	13	79	250	250	600	0.096	40
27796/B	3912226000	40	40	24.5	7.0	M8	23	23	151	260	260	730	0.096	55
27796/B	3912126000	40	40	24.5	7.0	M8	36	36	238	270	270	890	0.096	65
25332/B	3912417000	50	20	28.0	8.8	M10	71	71	938	400	400	1000	0.122	40
25332/B	3912217000	50	20	28.0	8.8	M10	132	132	1645	420	420	1450	0.122	55
25332/B	3912117000	50	20	28.0	8.8	M10	206	206	2486	440	440	2300	0.122	65
25333/B	3912418000	50	30	34.0	8.8	M10	40	40	201	400	400	950	0.150	40
25333/B	3912218000	50	30	34.0	8.8	M10	74	74	384	420	420	1400	0.150	55
25333/B	3912118000	50	30	34.0	8.8	M10	115	115	600	440	440	1800	0.150	65
27797/B	3912419000	50	45	34.0	8.8	M10	20	20	104	390	390	950	0.180	40
27797/B	3912219000	50	45	34.0	8.8	M10	35	35	204	410	410	1300	0.180	55
27797/B	3912119000	50	45	34.0	8.8	M10	54	54	322	430	430	1800	0.180	65

SCHWINGMETALL® Compression Mounts


Compression Mounts B Type 20290/B - 25328/B

Mould No.	Part No.	Dimensions					Spring Stiffness			Max. Loads			Mass Piece [kg]	Elastomer Hardness [Shore A]
		d [mm]	h [mm]	l ₁ [mm]	l ₂ [mm]	g	C _x [N/mm]	C _y [N/mm]	C _z [N/mm]	F _x [N]	F _y [N]	F _z [N]		
20290/B	3912420000	70	45	25.0	8.8	M10	47	47	265	750	750	1900	0.347	40
20290/B	3912220000	70	45	25.0	8.8	M10	86	86	507	790	790	2650	0.347	55
20290/B	3912120000	70	45	25.0	8.8	M10	133	133	793	830	830	3600	0.347	65
25327/B	3912421000	75	40	37.0	11.5	M12	62	62	400	900	900	2200	0.419	40
25327/B	3912221000	75	40	37.0	11.5	M12	112	112	751	1000	1000	3500	0.419	55
25327/B	3912121000	75	40	37.0	11.5	M12	173	173	1166	1050	1050	4500	0.419	65
25336/B	3912422000	75	55	37.0	11.5	M12	46	46	242	900	900	2200	0.487	40
25336/B	3912222000	75	55	37.0	11.5	M12	84	84	461	1000	1000	2950	0.487	55
25336/B	3912122000	75	55	37.0	11.5	M12	130	130	720	1050	1050	4050	0.487	65
25334/B	3912424000	100	40	43.0	17.0	M16	156	156	1359	1500	1500	5200	0.889	40
25334/B	3912224000	100	40	43.0	17.0	M16	290	290	2427	1600	1600	7500	0.889	55
25334/B	3912124000	100	40	43.0	17.0	M16	453	453	3695	1650	1650	10500	0.889	65
25335/B	3912425000	100	55	43.0	17.0	M16	86	86	496	1500	1500	4500	1.026	40
25335/B	3912225000	100	55	43.0	17.0	M16	158	158	937	1600	1600	6200	1.026	55
25335/B	3912125000	100	55	43.0	17.0	M16	246	246	1458	1700	1700	8300	1.026	65
25328/B	3912446000	100	75	43.0	17.0	M16	53	53	279	1500	1500	4000	1.200	40
25328/B	3912246000	100	75	43.0	17.0	M16	96	96	540	1600	1600	5800	1.200	55
25328/B	3912146000	100	75	43.0	17.0	M16	149	149	848	1700	1700	7500	1.200	65