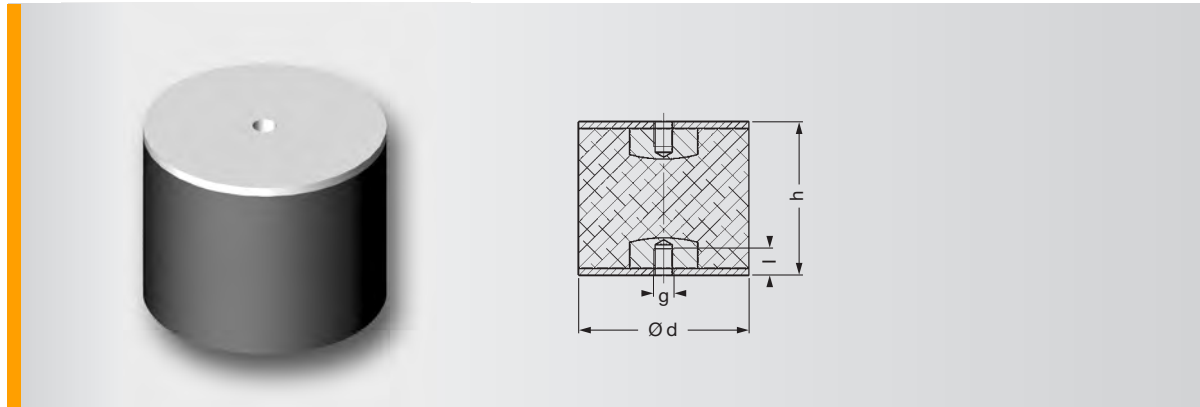


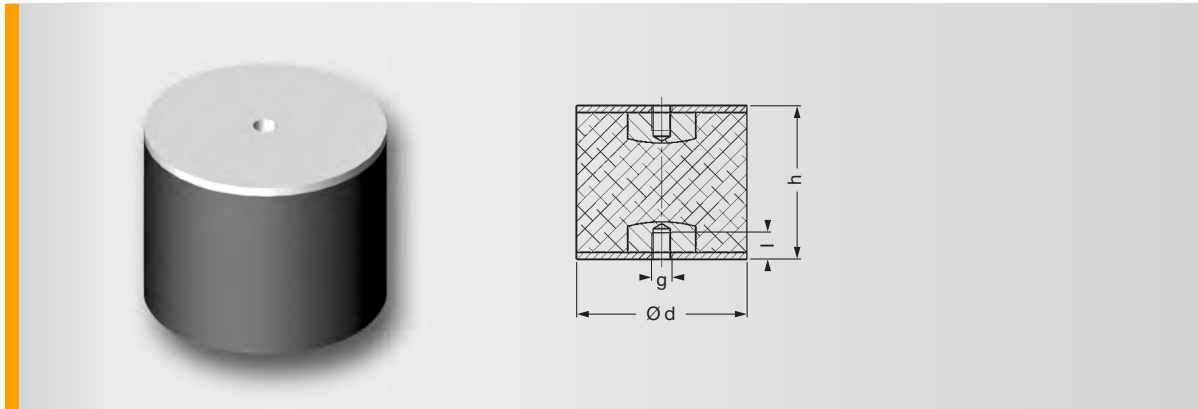
SCHWINGMETALL® Compression Mounts



Compression Mounts C Type 21887/C - 31660/C

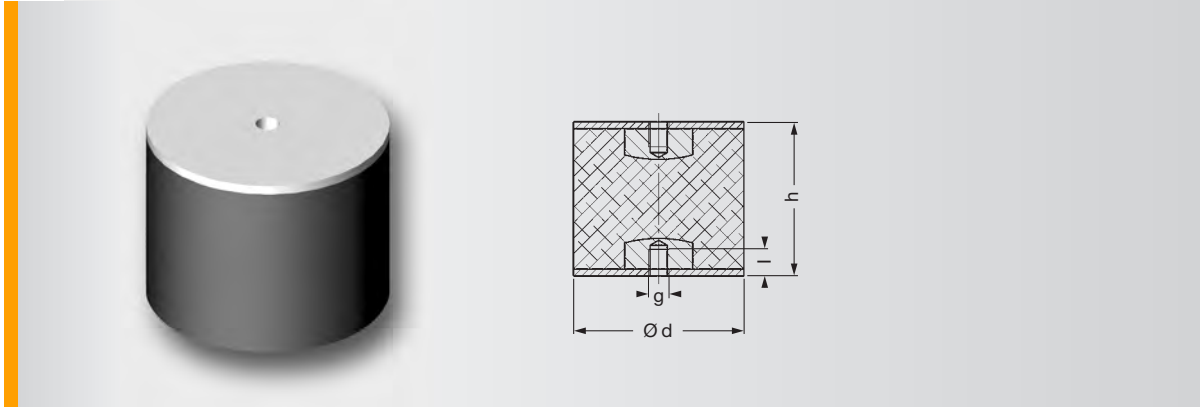
Mould No.	Part No.	Dimensions				Spring Stiffness			Max. Loads			Mass Piece [kg]	Elastomer Hardness [Shore A]
		d [mm]	h [mm]	l [mm]	g	C _x [N/mm]	C _y [N/mm]	C _z [N/mm]	F _x [N]	F _y [N]	F _z [N]		
21887/C	3913402000	13	26	5.0	M4	2	2	13	25	25	65	0.009	40
21887/C	3913202000	13	26	5.0	M4	3	3	25	27	27	80	0.009	55
21887/C	3913102000	13	26	5.0	M4	4	4	40	29	29	110	0.009	65
25326/C	3913404000	15	15	4.5	M4	13	13	68	35	35	90	0.007	40
25326/C	3913204000	15	15	4.5	M4	24	24	125	40	40	125	0.007	55
25326/C	3913104000	15	15	4.5	M4	37	37	190	43	43	160	0.007	65
31658/C	3913406000	20	25	6.0	M6	8	8	39	60	60	150	0.020	40
31658/C	3913206000	20	25	6.0	M6	14	14	73	65	65	180	0.020	55
31658/C	3913106000	20	25	6.0	M6	22	22	114	70	70	225	0.020	65
25356/C	3913412000	30	20	7.0	M8	30	30	230	150	150	400	0.042	40
25356/C	3913212000	30	20	7.0	M8	56	56	410	160	160	500	0.042	55
25356/C	3913112000	30	20	7.0	M8	87	87	626	170	170	650	0.042	65
31660/C	3913413000	30	30	7.0	M8	13	13	74	150	150	350	0.051	40
31660/C	3913213000	30	30	7.0	M8	24	24	139	160	160	420	0.051	55
31660/C	3913113000	30	30	7.0	M8	37	37	217	170	170	600	0.051	65

SCHWINGMETALL® Compression Mounts



Compression Mounts C Type 20291/C - 25336/C													
Mould No.	Part No.	Dimensions				Spring Stiffness			Max. Loads			Mass Piece [kg]	Elastomer Hardness [Shore A]
		d [mm]	h [mm]	l [mm]	g	C _x [N/mm]	C _y [N/mm]	C _z [N/mm]	F _x [N]	F _y [N]	F _z [N]		
20291/C	3913414000	40	30	7.0	M8	29	29	189	250	250	630	0.072	40
20291/C	3913214000	40	30	7.0	M8	54	54	346	260	260	850	0.072	55
20291/C	3913114000	40	30	7.0	M8	83	83	533	270	270	1050	0.072	65
27796/C	3913415000	40	40	7.0	M8	14	14	89	250	250	600	0.090	40
27796/C	3913215000	40	40	7.0	M8	25	25	168	260	260	730	0.090	55
27796/C	3913115000	40	40	7.0	M8	39	39	263	270	270	890	0.090	65
27797/C	3913419000	50	45	8.8	M10	23	23	119	390	390	950	0.169	40
27797/C	3913219000	50	45	8.8	M10	42	42	228	410	410	1300	0.169	55
27797/C	3913119000	50	45	8.8	M10	65	65	358	430	430	1800	0.169	65
20290/C	3913420000	70	45	8.8	M10	71	71	529	750	750	1900	0.317	40
20290/C	3913220000	70	45	8.8	M10	132	132	953	790	790	2650	0.317	55
20290/C	3913120000	70	45	8.8	M10	207	207	1457	830	830	3600	0.317	65
25336/C	3913422000	75	55	11.5	M12	55	55	272	900	900	2200	0.455	40
25336/C	3913222000	75	55	11.5	M12	101	101	512	1000	1000	2950	0.455	55
25336/C	3913122000	75	55	11.5	M12	157	157	796	1050	1050	4050	0.455	65

SCHWINGMETALL® Compression Mounts



Compression Mounts C Type 25335/C - 25329/C

Mould No.	Part No.	Dimensions				Spring Stiffness			Max. Loads			Mass [kg]	Elastomer Hardness [Shore A]
		d [mm]	h [mm]	l [mm]	g	C _x [N/mm]	C _y [N/mm]	C _z [N/mm]	F _x [N]	F _y [N]	F _z [N]		
25335/C	3913425000	100	55	17.0	M16	103	103	561	1700	1700	4500	0.990	40
25335/C	3913225000	100	55	17.0	M16	191	191	1045	1900	1900	6200	0.990	55
25335/C	3913125000	100	55	17.0	M16	297	297	1619	2100	2100	8300	0.990	65
25328/C	3913426000	100	75	17.0	M16	53	53	279	1500	1500	4000	1.165	40
25328/C	3913226000	100	75	17.0	M16	96	96	540	1600	1600	5800	1.165	55
25328/C	3913126000	100	75	17.0	M16	149	149	848	1700	1700	7500	1.165	65
31475/C	3913427000	150	55	20.0	1)	216	216	1948	3500	3500	11000	2.500	40
31475/C	3913227000	150	55	20.0	1)	398	398	3511	3750	3750	16000	2.500	55
31475/C	3913127000	150	55	20.0	1)	621	621	5363	4000	4000	21000	2.500	65
25303/C	3913428000	150	75	20.0	1)	139	139	858	3500	3500	9500	2.950	40
25303/C	3913228000	150	75	20.0	1)	254	254	1613	3750	3750	14500	2.950	55
25303/C	3913128000	150	75	20.0	1)	395	395	2507	4000	4000	19000	2.950	65
25329/C	3913429000	200	100	20.0	1)	160	160	929	6000	6000	17500	5.920	40
25329/C	3913229000	200	100	20.0	1)	291	291	1802	6400	6400	25000	5.920	55
25329/C	3913129000	200	100	20.0	1)	451	451	2834	6800	6800	33500	5.920	65

1) suitable for screw up to M20; diameter of the inner part 40 mm