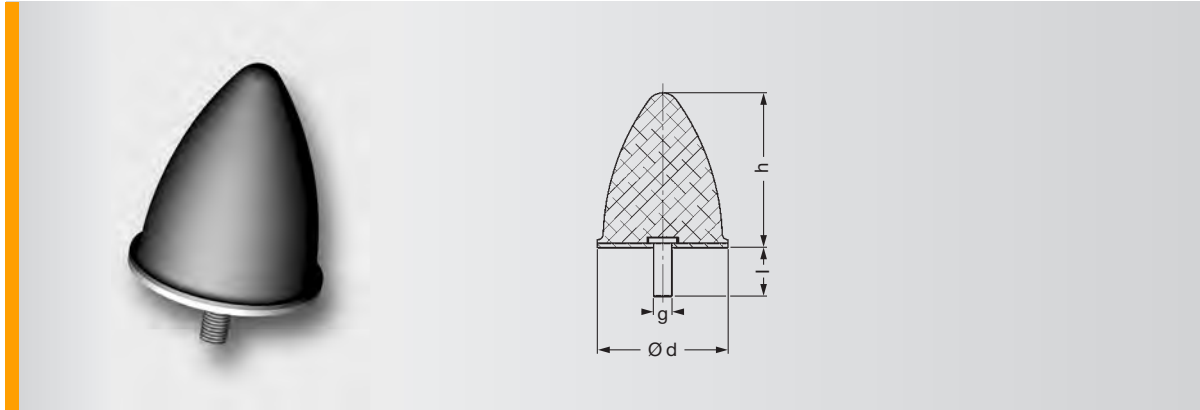


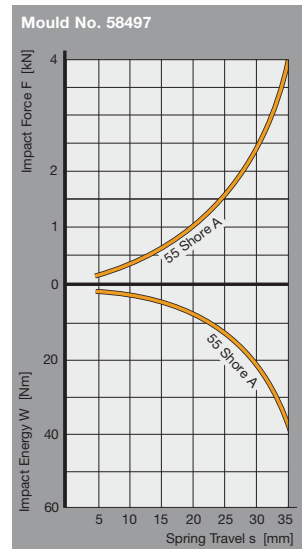
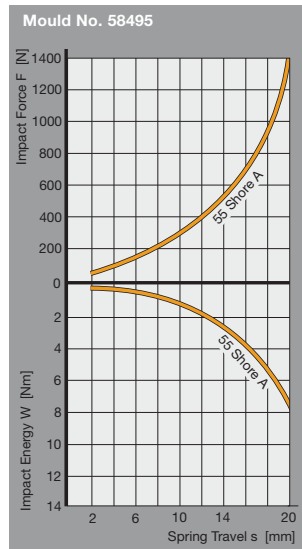
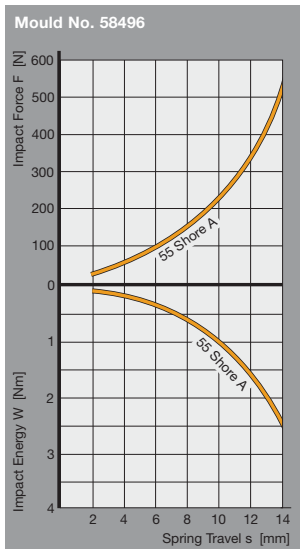
# SCHWINGMETALL® Impact Mounts



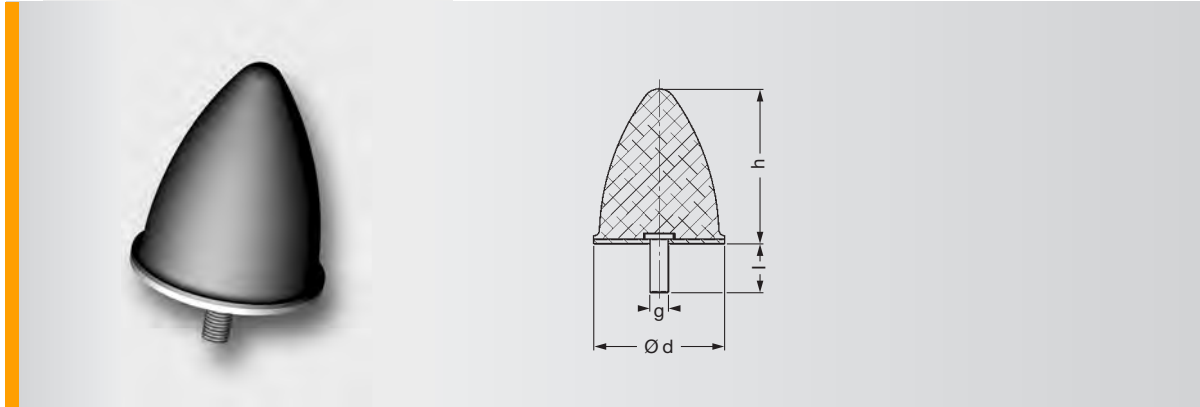
**Parabolic spring 58496 - 58497**

Mould No.	Part No.	Dimensions				Max. Loads		Mass [kg]	Elastomer Hardness [Shore A]
		d [mm]	h [mm]	l [mm]	g	F <sub>z</sub> [N]	W [N/mm]		
58496	3915236000	21	24	19.0	M6	529	2.4	0.011	55
58495	3915235000	32	36	20.5	M8	1398	8.0	0.032	55
58497	3915237000	52	58	28.0	M10	3863	37.0	0.110	55

## Force and Energy Direction Diagrams



# SCHWINGMETALL® Impact Mounts



Parabolic spring 58498 - 58499		Dimensions				Max. Loads		Mass	Elas-tomer Hardness [Shore A]
Mould No.	Part No.	d [mm]	h [mm]	l [mm]	g	F <sub>z</sub> [N]	W [N/mm]	Piece [kg]	
58498	3915238000	75	89	37.0	M12	8524	120.0	0.345	55
58102	3915234000	115	136	43.0	M16	17122	412.0	1.200	55
58499	3915239000	165	195	43.0	M16	36228	1200.0	3.000	55

## Force and Energy Direction Diagrams

