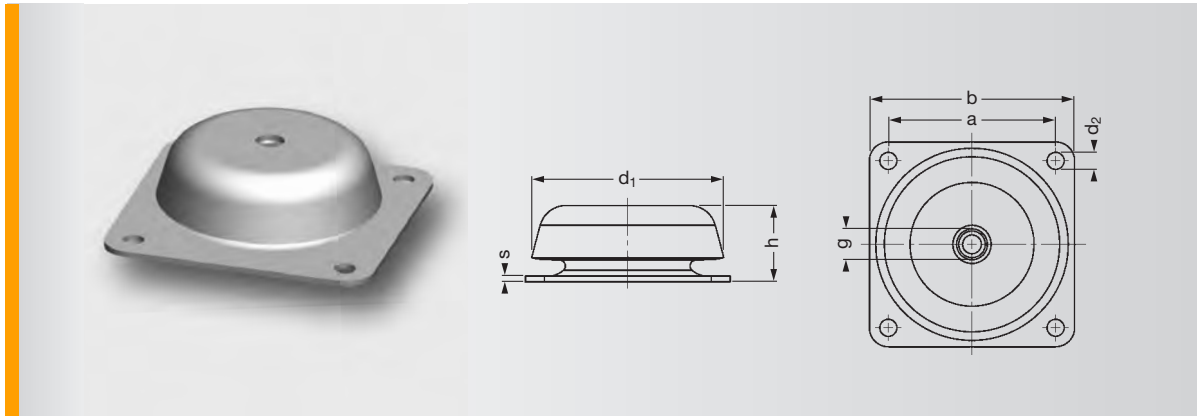


SCHWINGMETALL® Dome Mounts



Dome Mounts AS Series 210642 - 210643

Mould No.	Part No.	Dimensions							Mass Piece [kg]	Elastomer Hardness [Shore A]
		a [mm]	b [mm]	d1 [mm]	d2 [mm]	g [mm]	h [mm]	s [mm]		
210642	4000005311	□ 88	□ 108	101	4 x 9	M12	40	3	0.65	40
210642	4000005312	□ 88	□ 108	101	4 x 9	M12	40	3	0.65	55
210642	4000005313	□ 88	□ 108	101	4 x 9	M12	40	3	0.65	65
210643	4000005314	□ 132	□ 168	136	4 x 13	M16	50	4	1.77	40
210643	4000005315	□ 132	□ 168	136	4 x 13	M16	50	4	1.77	55
210643	4000005316	□ 132	□ 168	136	4 x 13	M16	50	4	1.77	65

Mould No.	Part No.	Spring Stiffness			Max. Loads		
		C _x [N/mm]	C _y [N/mm]	C _z [N/mm]	F _x [N]	F _y [N]	F _z [N]
210642	4000005311	410	410	505	900	900	1965
210642	4000005312	746	746	910	1650	1650	3500
210642	4000005313	1180	1180	1315	2600	2660	4950
210643	4000005314	850	850	920	1750	1750	4000
210643	4000005315	1540	1540	1650	3300	3300	6900
210643	4000005316	2400	2400	2555	5000	5000	9850

► Mount with integrated stop disk

Resp. Underlays and Level Adjustment Spindles