

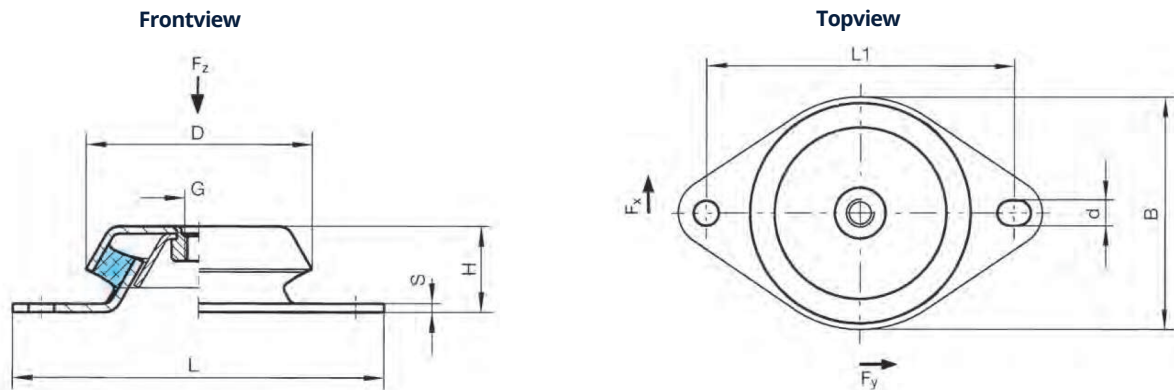
## Machine Mount with tear-off protection

786230S1SP



- ✓ Max. load  $F_z$  1900 N
- ✓ Spring stiffness 680 N/mm

### Installation Dimensions



### Technical Specifications

Type	Dimensions								Max. tightening torque
	D (mm)	L1 (mm)	L (mm)	H (mm)	d (mm)	s (mm)	G (mm)	B (mm)	Nm
786230S1SP	79	110	130	30	9	3	M10	79	50

Spring Stiffness (N/mm)	Max. Loads (N)
$C_z \pm 20\%$	$F_z$
680	1900

The ratio of the vertical to horizontal rigidity is near to 1. ( $C_z / C_x/y \approx 1$ )

### Static Stiffness Curves

Force-deflection curve in Z direction

