

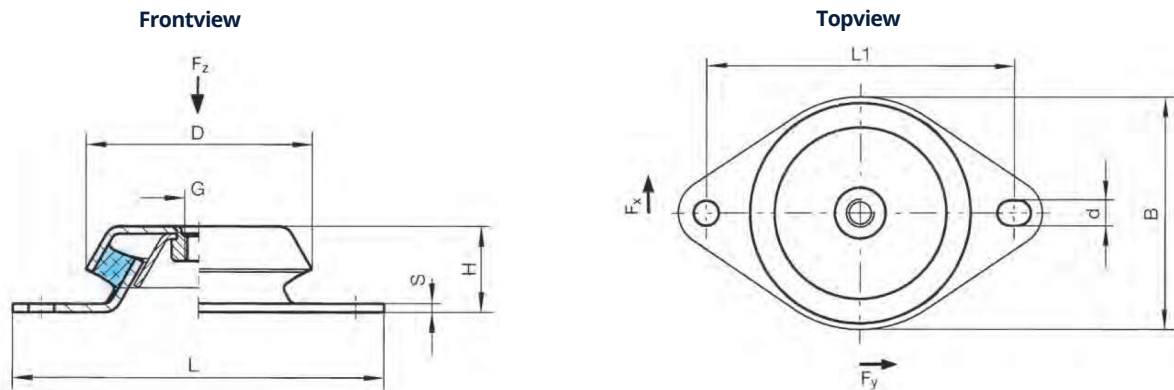
Machine Mount with tear-off protection

786230SP



- ✓ Max. load F_z 950 N
- ✓ Spring stiffness 315 N/mm

Installation Dimensions



Technical Specifications

| Type | Dimensions | | | | | | | | Max. tightening torque |
|----------|------------|---------|--------|--------|--------|--------|--------|--------|------------------------|
| | D (mm) | L1 (mm) | L (mm) | H (mm) | d (mm) | s (mm) | G (mm) | B (mm) | Nm |
| 786230SP | 79 | 110 | 130 | 30 | 9 | 3 | M10 | 79 | 50 |

| Spring Stiffness (N/mm) | Max. Loads (N) |
|-------------------------|----------------|
| $C_z \pm 20\%$ | F_z |
| 315 | 950 |

The ratio of the vertical to horizontal rigidity is near to 1. ($C_z / C_{x/y} \approx 1$)

Static Stiffness Curves

Force-deflection curve in Z direction

