

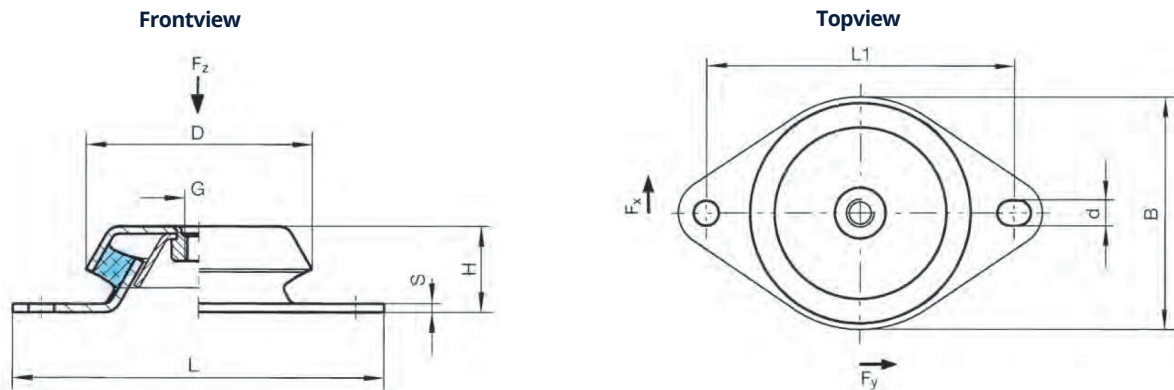
Machine Mount with tear-off protection

786234SP



- ✓ Max. load F_z 4000 N
- ✓ Spring stiffness 860 N/mm

Installation Dimensions



Technical Specifications

Type	Dimensions								Max. tightening torque
	D (mm)	L1 (mm)	L (mm)	H (mm)	d (mm)	s (mm)	G (mm)	B (mm)	Nm
786234SP	123	158	192	42	14	4	M16	130	210

Spring Stiffness (N/mm)	Max. Loads (N)
$C_z \pm 20\%$	F_z
860	4000

The ratio of the vertical to horizontal rigidity is near to 1. ($C_z / C_x/y \approx 1$)

Static Stiffness Curves

Force-deflection curve in Z direction

