

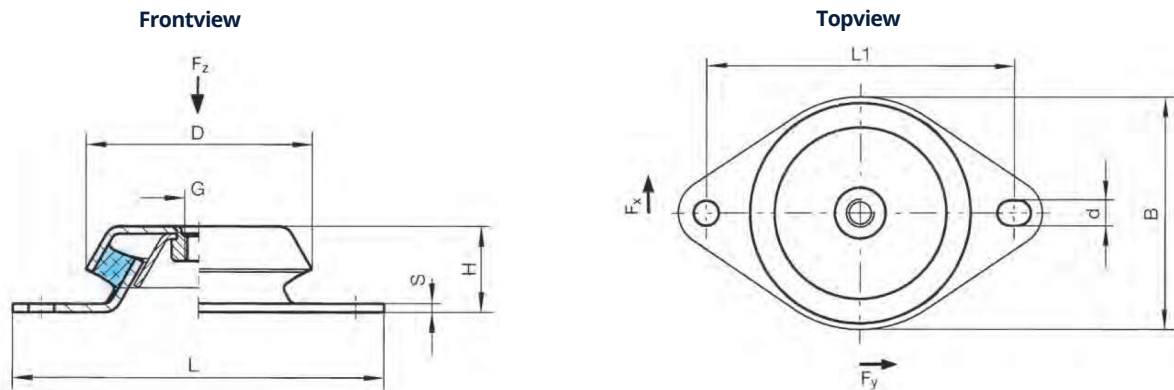
Machine Mount with tear-off protection

786236SP

- ✓ Max. load F_z 7500 N
- ✓ Spring stiffness 1150 N/mm



Installation Dimensions



Technical Specifications

Type	Dimensions								Max. tightening torque
	D (mm)	L1 (mm)	L (mm)	H (mm)	d (mm)	s (mm)	G (mm)	B (mm)	Nm
786236SP	144	182	216	48	14	4	M16	144	210

Spring Stiffness (N/mm)	Max. Loads (N)
$C_z \pm 20\%$	F_z
1150	7500

The ratio of the vertical to horizontal rigidity is near to 1. ($C_z / C_x/y \approx 1$)

Static Stiffness Curves

