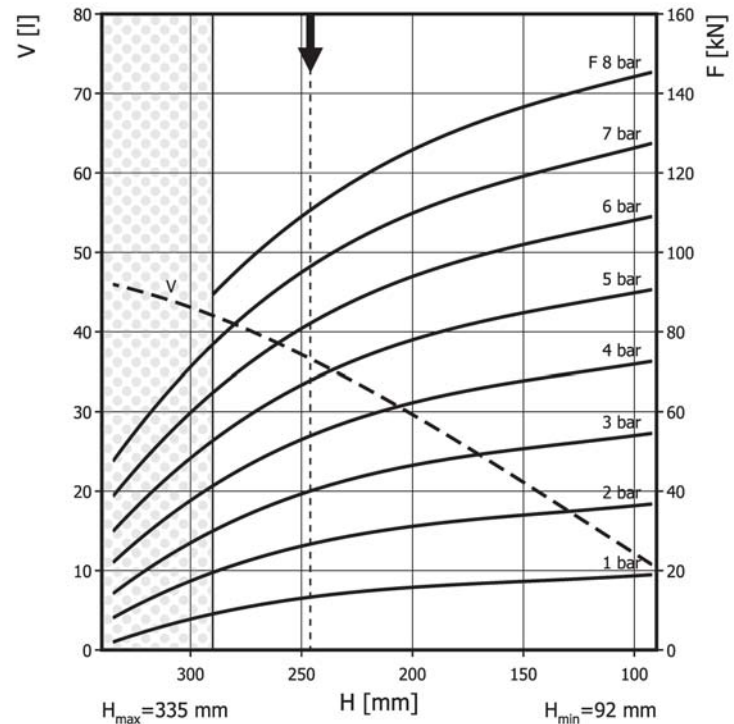
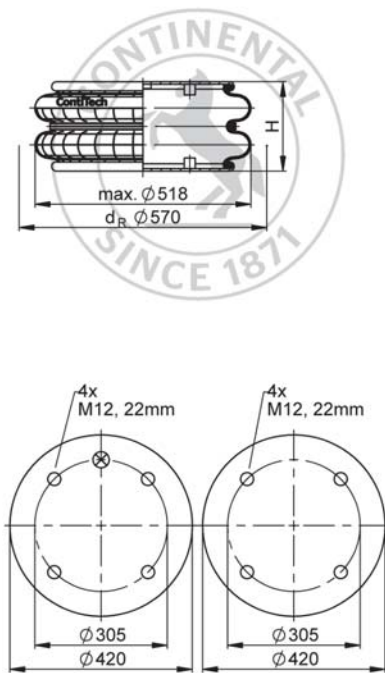


FD 1330-25 CI

Double Convolution Air Actuator



Use in dotted range >290 mm only after consultation with ContiTech

Recommended height for vibration isolation: 246 mm

Purchase order data

Type	Order No.
Rubber bellows only	61779
with crimped plates, G3/4 air inlet 152.5 mm excentrical	69797

Additional types on request

Technical data

Min. pressure	0 bar
Return force to min height	≤ 100 N
Overall weight	19.2 kg

Vibration isolation - dynamic characteristic values

Design height H: recommended 246mm, minimum 226mm

Pressure p [bar]	3	4	5	6	7	8	Vol. V [l]
Force (Load) [kN]	39.8	53.6	66.9	80.9	94	107.2	37
Spring rate [N/mm]	422	541.5	653	764	867.5	971	
Natural frequency [Hz]	1.6	1.6	1.6	1.5	1.5	1.5	

Pneumatic application - static characteristic values

Force F [kN]

Pressure p [bar]	3	4	5	6	7	8	Vol. V [l]	
Height H [mm]	270	35.1	47.7	60.3	73.4	86.6	100	40
	240	40.7	54.9	69	83.5	98.1	113	36
	210	44.9	60.2	75.5	91.2	107	123	31
	180	48.4	64.8	81.3	97.7	114	131	26
	150	51.1	68.2	85.2	103	120	137	21
	120	53	70.5	88	106	123	141	16



Service instructions
M12: max. 75 Nm
G3/4: max. 50 Nm