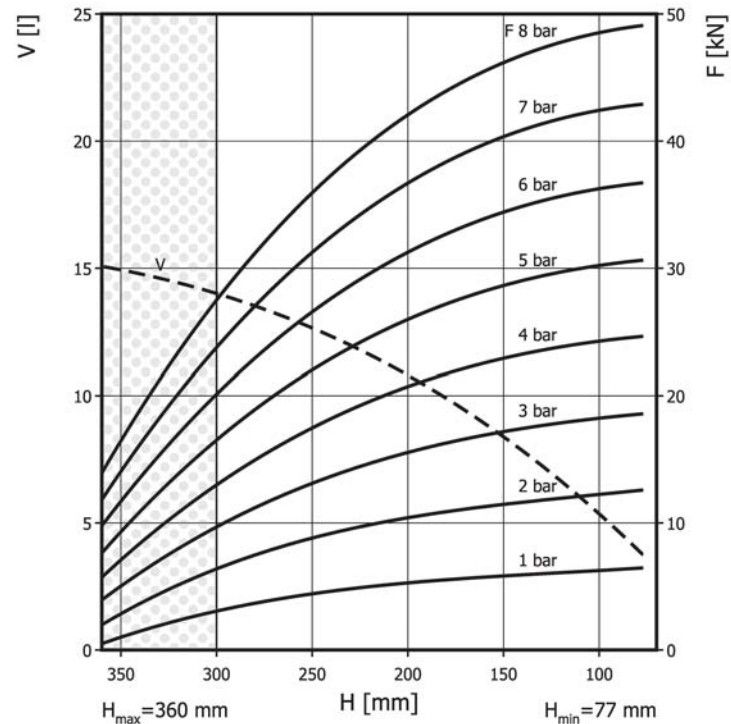
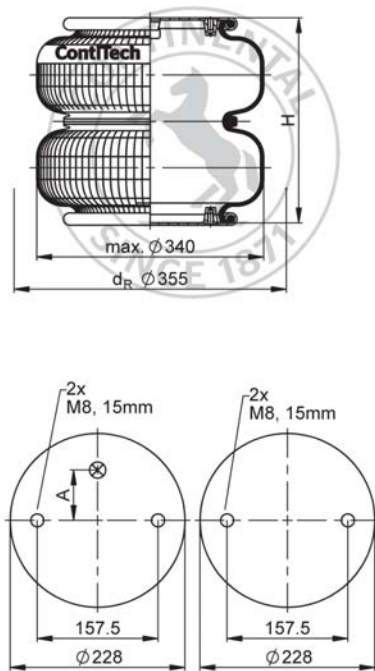


FD 330-30 CI

Double Convolution Air Actuator



Use in dotted range >300 mm only after consultation with ContiTech

Purchase order data

Type	Order No.
Rubber bellows only	60516
with crimped plates, G1/4 air inlet (A) 73 mm excentrical	60417
with crimped plates, G1 air inlet (A) 66 mm excentrical	60891
with stainless steel crimped plates, G3/4 air inlet (A) 73 mm excentrical	69775

Additional types on request



Service instructions
 M8: max. 25 Nm
 G1/4: max. 25 Nm
 G1: max. 50 Nm
 G3/4: max. 50 Nm

Technical data

Min. pressure	0 bar
Return force to min height	≤ 300 N
Overall weight	5.1 kg

Pneumatic application - static characteristic values

Force F [kN]

Pressure p [bar]	3	4	5	6	7	8	Vol. V [l]
Height H [mm]							
300	9.8	13.1	16.7	20.3	24	27.7	14
260	12.5	16.7	21	25.4	29.9	34.5	13
220	14.6	19.4	24.4	29.4	34.5	39.6	12
180	16.2	21.6	27	32.5	38.2	43.8	9.9
140	17.6	23.4	29.3	35.2	41.3	47.2	7.8
100	18.3	24.4	30.3	36.3	42.4	48.5	5.5