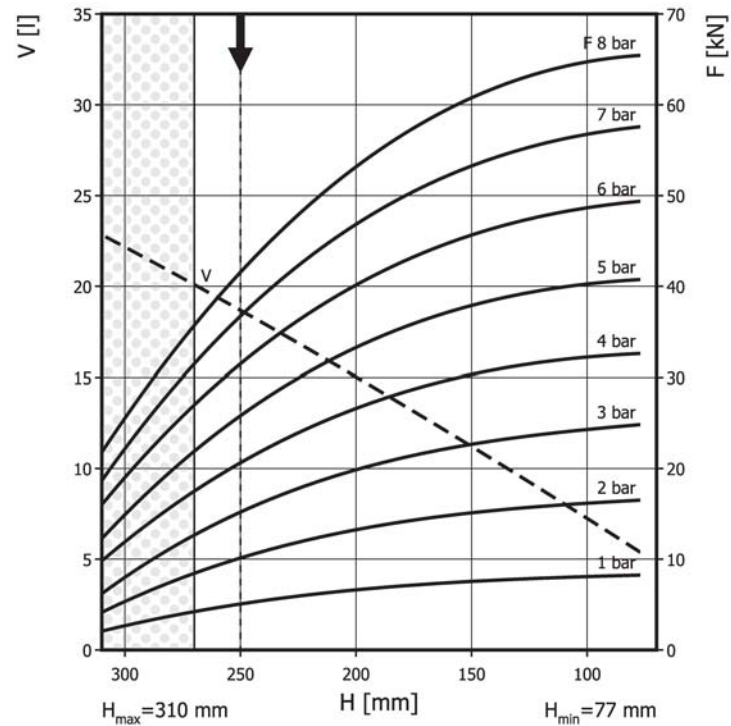
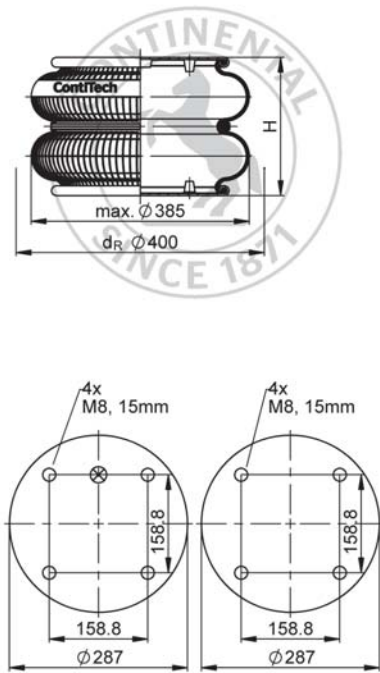


## FD 530-22 CI

## Double Convolution Air Actuator



Use in dotted range >270 mm only after consultation with ContiTech

Recommended height for vibration isolation: 250 mm

## Purchase order data

Type	Order No.
Rubber bellows only	60406
with crimped plates, G1/4 air inlet, 79.4 mm excentrical	61362
with crimped plates, G3/4 air inlet, 79.4 mm excentrical	66512
with crimped plates, G1 air inlet, 79.4 mm excentrical	2682075000

Additional types on request



Service instructions  
 M8: max. 25 Nm  
 G1/4: max. 25 Nm  
 G1: max. 50 Nm  
 G3/4: max. 50 Nm

## Technical data

Min. pressure	0 bar
Return force to min height	≤ 400 N
Overall weight	6.9 kg

**Vibration isolation - dynamic characteristic values**

Design height H: recommended 250mm, minimum 225mm

Pressure p [bar]	3	4	5	6	7	8	Vol. V [l]
Force (Load) [kN]	15.2	20.7	25.8	31.5	36.8	42	19
Spring rate [N/mm]	222.5	286	349.5	413	476.5	540	
Natural frequency [Hz]	1.9	1.8	1.8	1.8	1.8	1.7	

**Pneumatic application - static characteristic values**

Force F [kN]

Pressure p [bar]	3	4	5	6	7	8	Vol. V [l]	
Height H [mm]	260	14.1	19.3	24.1	29.5	34.5	39.4	20
	220	18.2	24.4	30.5	37	43.2	49.1	17
	180	21	28.2	35.3	42.6	49.7	56.8	14
	140	23.1	31	38.7	46.5	54.3	61.9	11
	100	24.4	32.3	40.4	48.7	56.8	64.7	7.2